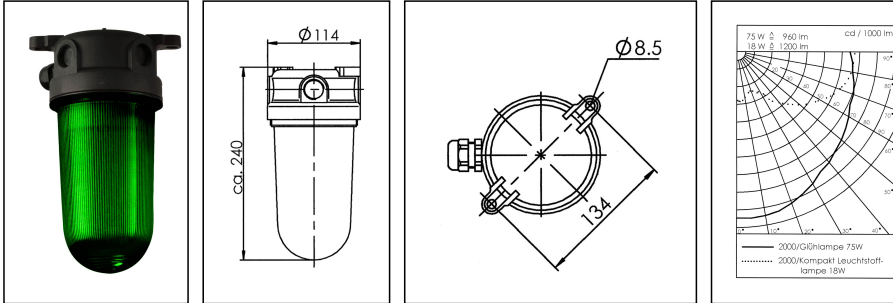



2000/E27/gn

Multi-purpose light



Products may differ in size, colour and appearance to those shown. If you require further information or customisation, please contact us directly.



WISKA-Order no.	10015020
Type	2000/E27/gn
Material globe/diffuser	Polycarbonate
Material	PBT
Globe colour	Green
Power[^]	1 x 75 W
Wattage	75 W
Voltage	230 V
Protection class	IP68 (2,0 bar 30min)
Temp. range min	-30 °C
Temp. range max	45 °C
Lampholder	E27
Number of lampholder	1 items
Lightsource	variable, Incandescent lamp
Lightsource incl.	No
Bulb shape	Rod shaped
Material cable gland	Polyamide
Type of cable gland	ESKV 20 PLUS / 7,5-14mm
Using for cable gland	
Ø cable diameter min	7,5 mm
Ø cable diameter max	14 mm
External dimensions LxWxH	134x240mm
Weight	0,57 kg
Approval	RMRS, DNV-GL
Colour	Black

Your Contact:

WISKA UK Ltd.

Unit 7, Hurling Way · St. Columb Major Business Park · TR9 6SX, St. Columb Major, Cornwall · Great Britain

☎ +44-12-08816062 · 📠 +44-12-08816708

info@wiska.co.uk · www.wiska.co.uk

Mounting	Ceiling, Upside down, Upside, Surface mounting
Equipment	4 threaded knockout entry M20
Tariff number	85318070

Equipment:

- Plastic: impact resistant, heat-and water resistant
- 4 threaded knockout entries M20
- Separate terminal to loop the armour
- 2 cable glands ESKV 20 enclosed separately

Recommended accessories

2099 Wall bracket	10015550
SP-Vibration damper light 2000	22000912

Spare parts

SP-2080 Structured globe green	22000198
SP-2000 ST/E27 Baseplate	22000278
SP-2000 Housing M20	22000382
SP-Incandescent lamp 60W 230V E27	22000983

20.05.2024

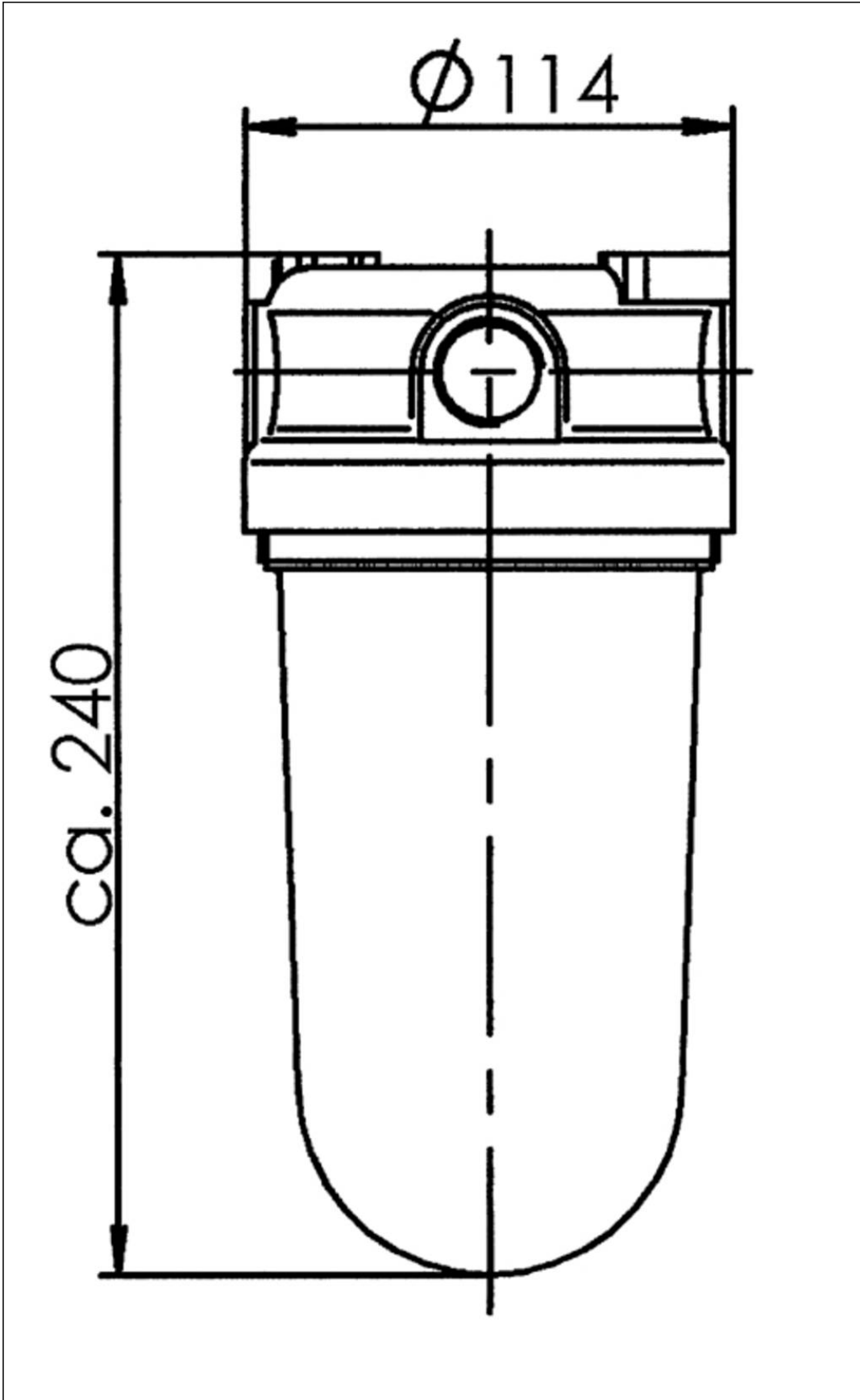
Your Contact:

WISKA UK Ltd.

Unit 7, Hurling Way · St. Columb Major Business Park · TR9 6SX, St. Columb Major, Cornwall · Great Britain

☎ +44-12-08816062 · 📠 +44-12-08816708

info@wiska.co.uk · www.wiska.co.uk



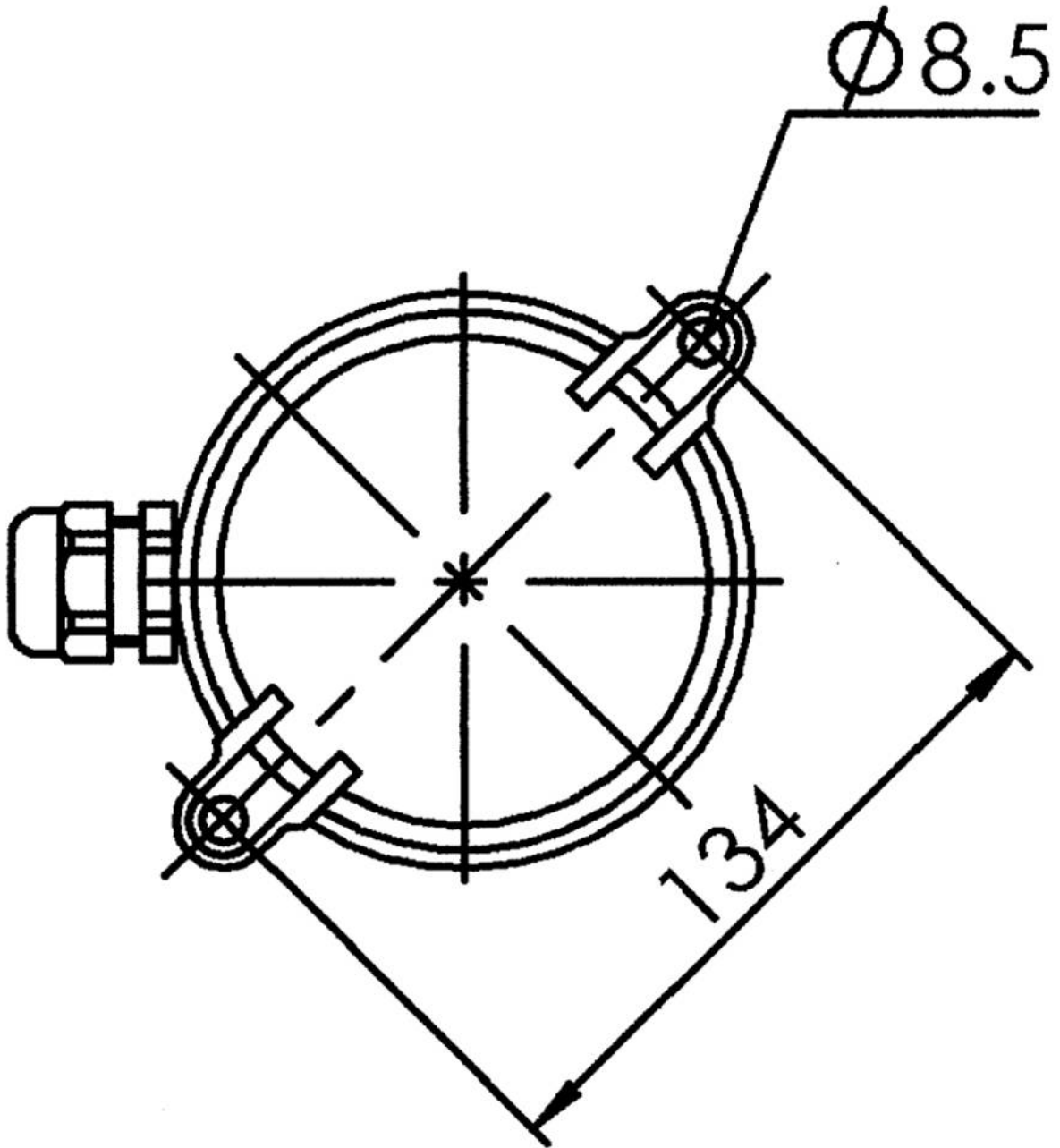
Your Contact:

WISKA UK Ltd.

Unit 7, Hurling Way · St. Columb Major Business Park · TR9 6SX, St. Columb Major, Cornwall · Great Britain

☎ +44-12-08816062 · 📠 +44-12-08816708

info@wiska.co.uk · www.wiska.co.uk



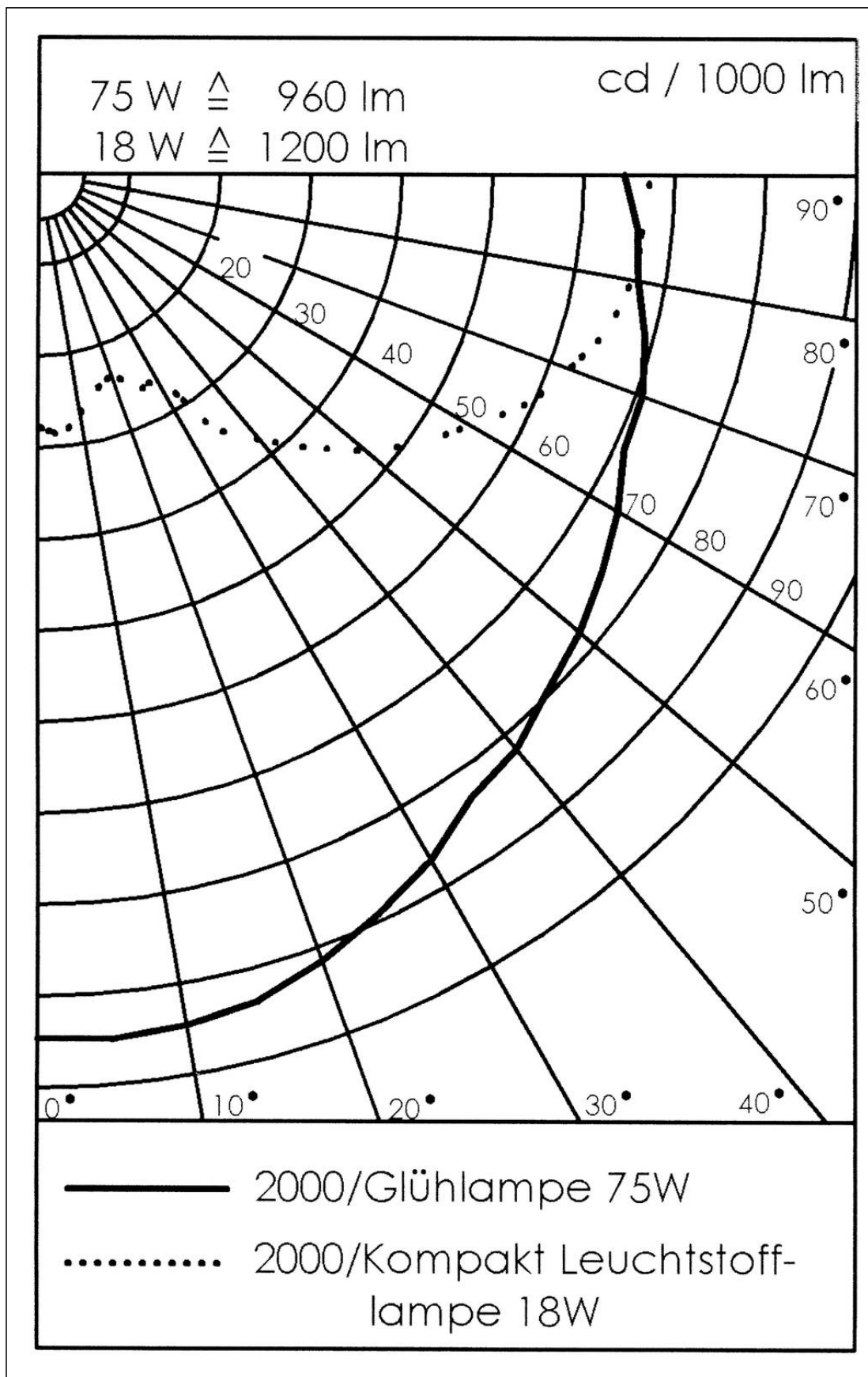
Your Contact:

WISKA UK Ltd.

Unit 7, Hurling Way · St. Columb Major Business Park · TR9 6SX, St. Columb Major, Cornwall · Great Britain

☎ +44-12-08816062 · 📠 +44-12-08816708

info@wiska.co.uk · www.wiska.co.uk



Your Contact:

WISKA UK Ltd.

Unit 7, Hurling Way · St. Columb Major Business Park · TR9 6SX, St. Columb Major, Cornwall · Great Britain

☎ +44-12-08816062 · 📠 +44-12-08816708

info@wiska.co.uk · www.wiska.co.uk