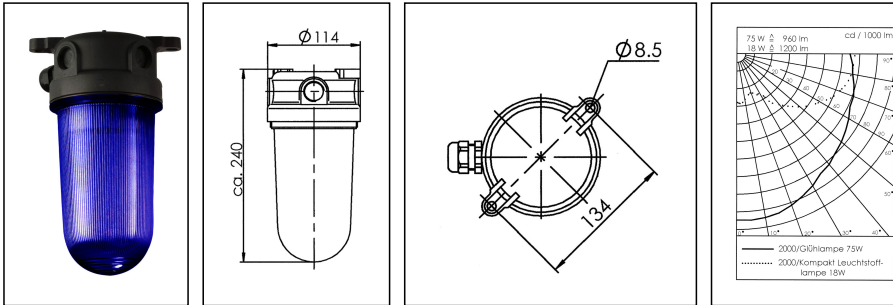



**2000/B22/bu**

Multi-purpose light



Products may differ in size, colour and appearance to those shown. If you require further information or customisation, please contact us directly.



<b>WISKA-Order no.</b>	10015130
<b>Type</b>	2000/B22/bu
<b>Material globe/diffuser</b>	Polycarbonate
<b>Material</b>	PBT
<b>Globe colour</b>	Blue
<b>Power<sup>^</sup></b>	1 x 75 W
<b>Wattage</b>	75 W
<b>Voltage</b>	230 V
<b>Protection class</b>	IP68 (2,0 bar 30min)
<b>Temp. range min</b>	-30 °C
<b>Temp. range max</b>	45 °C
<b>Lampholder</b>	B22d
<b>Number of lampholder</b>	1 items
<b>Lightsource</b>	variable, Incandescent lamp
<b>Lightsource incl.</b>	No
<b>Bulb shape</b>	Rod shaped
<b>Material cable gland</b>	Polyamide
<b>Type of cable gland</b>	ESKV 20 PLUS / 7,5-14mm
<b>Using for cable gland</b>	
<b>Ø cable diameter min</b>	7,5 mm
<b>Ø cable diameter max</b>	14 mm
<b>External dimensions LxWxH</b>	134x240mm
<b>Weight</b>	0,56 kg
<b>Approval</b>	RMRS, DNV-GL
<b>Colour</b>	Black

Your Contact:

**WISKA UK Ltd.**

Unit 7, Hurling Way · St. Columb Major Business Park · TR9 6SX, St. Columb Major, Cornwall · Great Britain

☎ +44-12-08816062 · 📠 +44-12-08816708

info@wiska.co.uk · www.wiska.co.uk

<b>Mounting</b>	Upside down, Upside, Surface mounting, Ceiling
<b>Equipment</b>	4 threaded knockout entry M20
<b>Tariff number</b>	85318070

Equipment:

- Plastic: impact resistant, heat-and water resistant
- 4 threaded knockout entries M20
- Separate terminal to loop the armour
- 2 cable glands ESKV 20 enclosed separately

**Recommended accessories**

<b>2099 Wall bracket</b>	10015550
<b>SP-Vibration damper light 2000</b>	22000912

**Spare parts**

<b>SP-2080 Structured globe blue</b>	22000202
<b>SP-2000 ST/B22 Baseplate</b>	22000279
<b>SP-2000 Housing M20</b>	22000382
<b>Bulb 60W 220V B22d</b>	50080223

21.05.2024

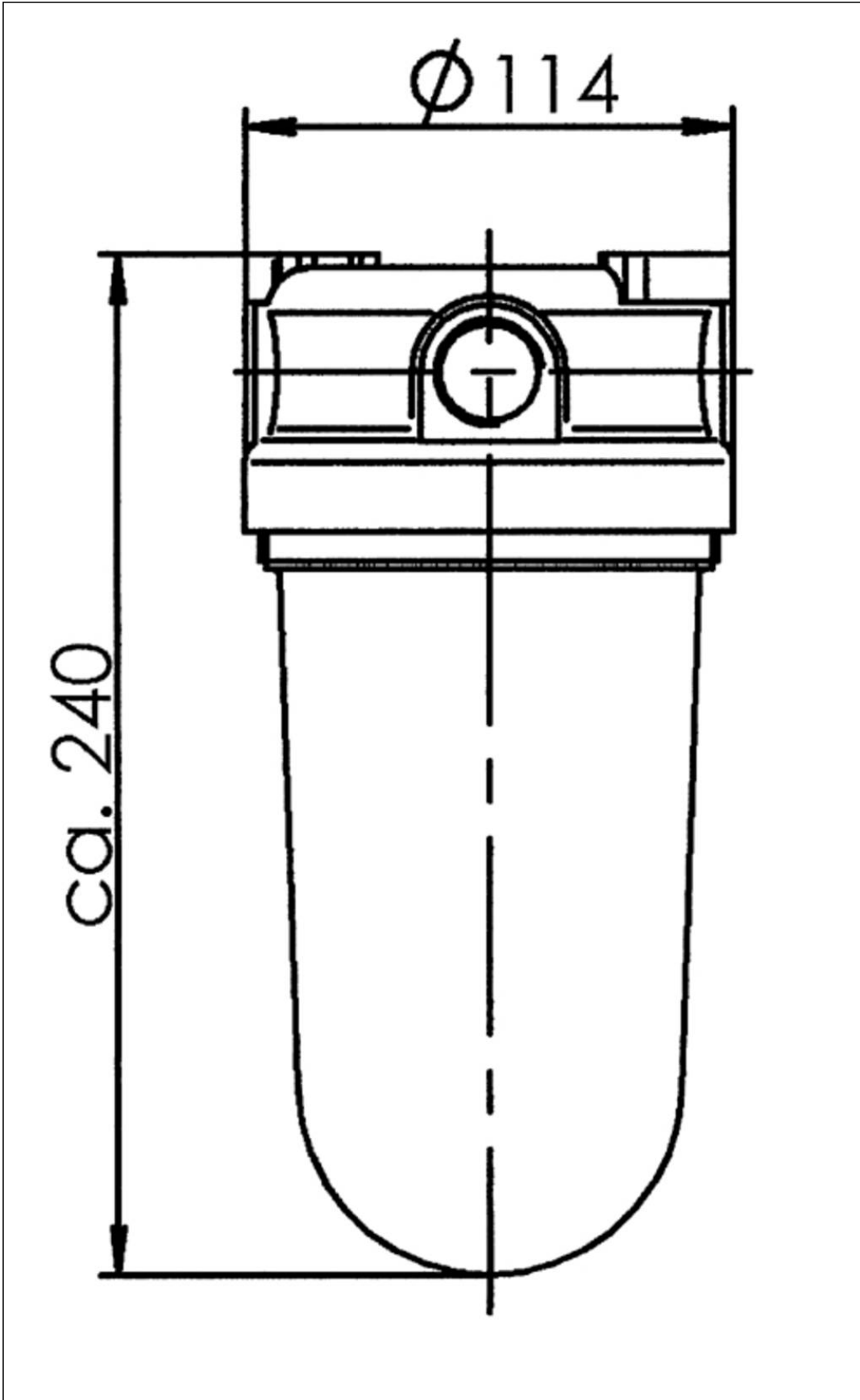
Your Contact:

**WISKA UK Ltd.**

Unit 7, Hurling Way · St. Columb Major Business Park · TR9 6SX, St. Columb Major, Cornwall · Great Britain

☎ +44-12-08816062 · 📠 +44-12-08816708

info@wiska.co.uk · www.wiska.co.uk



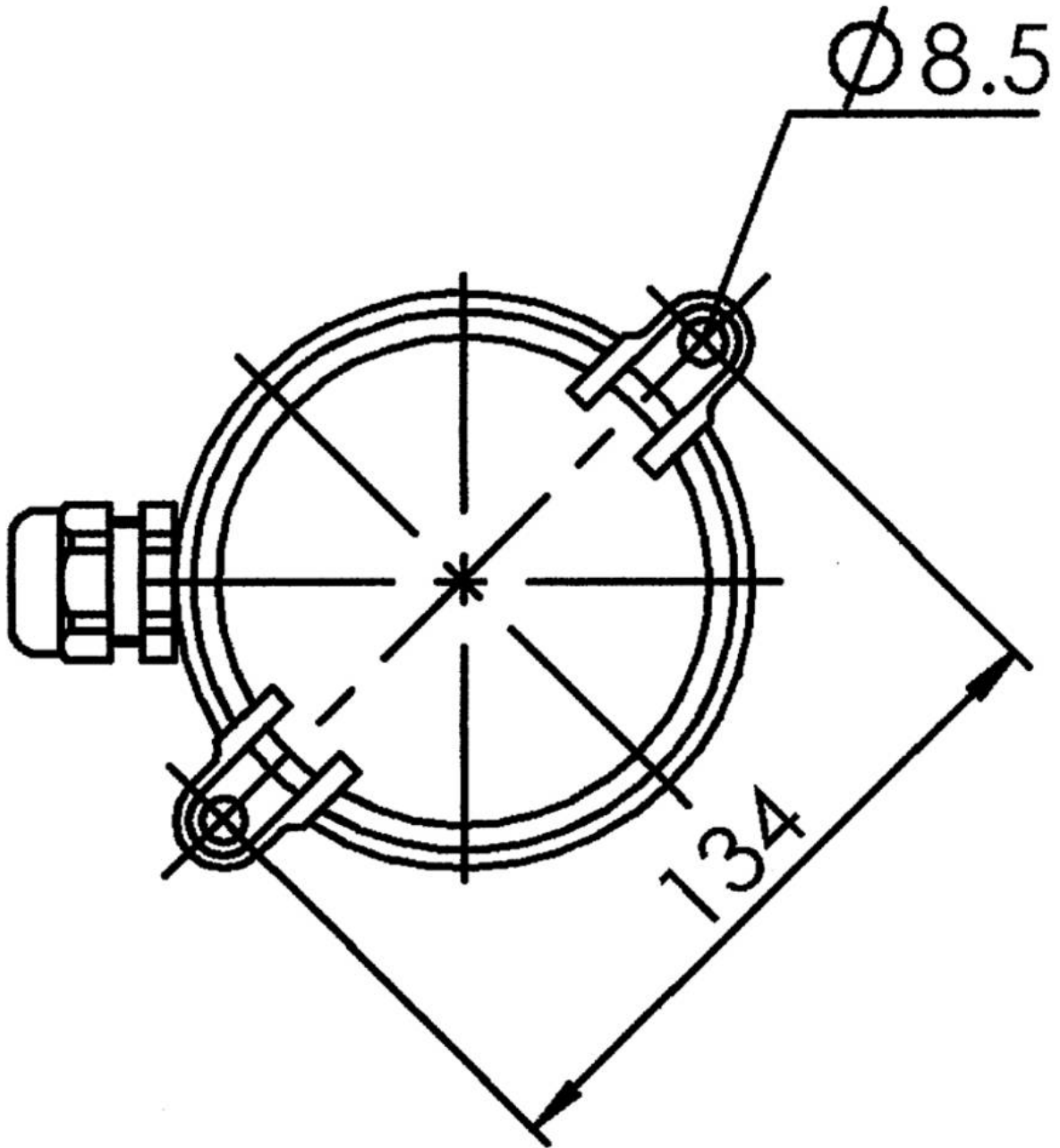
Your Contact:

**WISKA UK Ltd.**

Unit 7, Hurling Way · St. Columb Major Business Park · TR9 6SX, St. Columb Major, Cornwall · Great Britain

☎ +44-12-08816062 · 📠 +44-12-08816708

info@wiska.co.uk · www.wiska.co.uk



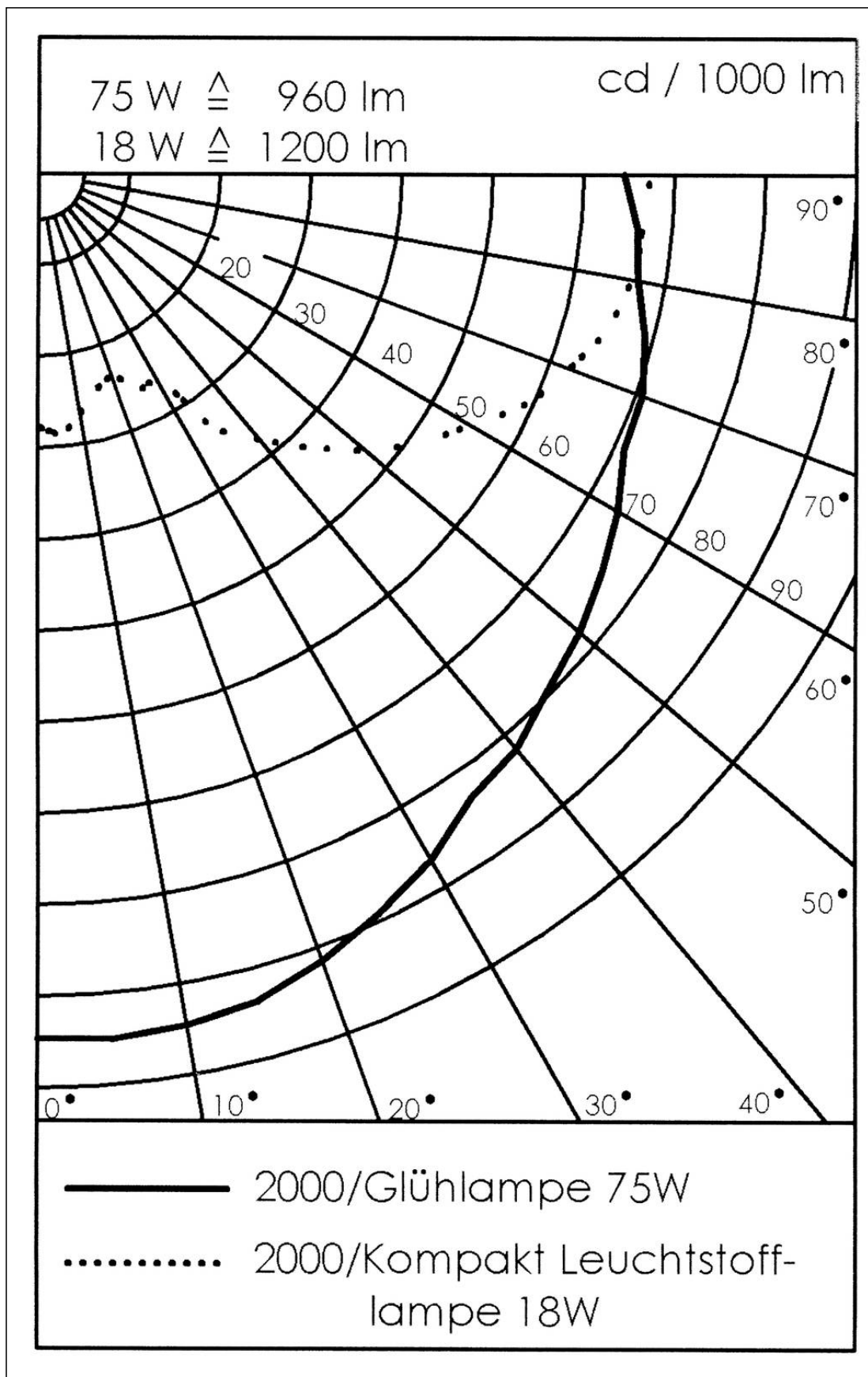
Your Contact:

**WISKA UK Ltd.**

Unit 7, Hurling Way · St. Columb Major Business Park · TR9 6SX, St. Columb Major, Cornwall · Great Britain

☎ +44-12-08816062 · 📠 +44-12-08816708

info@wiska.co.uk · www.wiska.co.uk



Your Contact:

**WISKA UK Ltd.**

Unit 7, Hurling Way · St. Columb Major Business Park · TR9 6SX, St. Columb Major, Cornwall · Great Britain

☎ +44-12-08816062 · 📠 +44-12-08816708

info@wiska.co.uk · www.wiska.co.uk