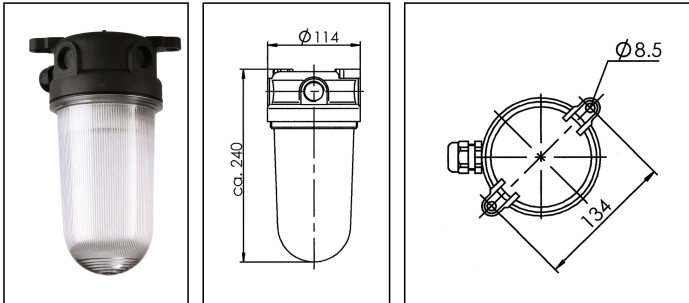
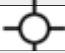


2000/B 220V/AC/clear

Multi-purpose light with flash electronic



Products may differ in size, colour and appearance to those shown. If you require further information or customisation, please contact us directly.

WISKA-Order no.	10015450
Type	2000/B 220V/AC/clear
Material	PBT
Material globe/diffuser	Polycarbonate
Globe colour	Clear
Voltage	220 V
Type of Voltage	AC
Protection class	IP68
Temp. range min	-25 °C
Temp. range max	45 °C
Number of lampholder	1 items
Flash-energy	5Ws 60/Min
Lightsource	Flashlight
Type of cable gland	ESKV 20 PLUS / 7,5-14mm
Ø cable diameter min	7,5 mm
Ø cable diameter max	14 mm
Using for cable gland	
Material cable gland	Polyamide
Equipment	4 threaded knockout entry M20
Mounting	Ceiling, Upside down, Upside, Surface mounting
Colour	Black
External dimensions LxWxH	134x240mm
Weight	0,6 kg
Tariff number	85318070

Equipment:

Your Contact:

WISKA UK Ltd.

Unit 7, Hurling Way · St. Columb Major Business Park · TR9 6SX, St. Columb Major, Cornwall · Great Britain

☎ +44-12-08816062 · 📠 +44-12-08816708

info@wiska.co.uk · www.wiska.co.uk

- Plastic: impact resistant, heat-and water resistant
- 4 threaded knockout entries M20
- Separate terminal to loop the armour
- Flash electronic 5Ws (60 flashes/minute)
- 2 cable glands ESKV 20 enclosed separately

Spare parts

SP-2000 BL 5 W/S 220V Baseplate flash	22000187
SP-2080 Structured globe clear	22000201
SP-2000 Housing M20	22000382

20.05.2024

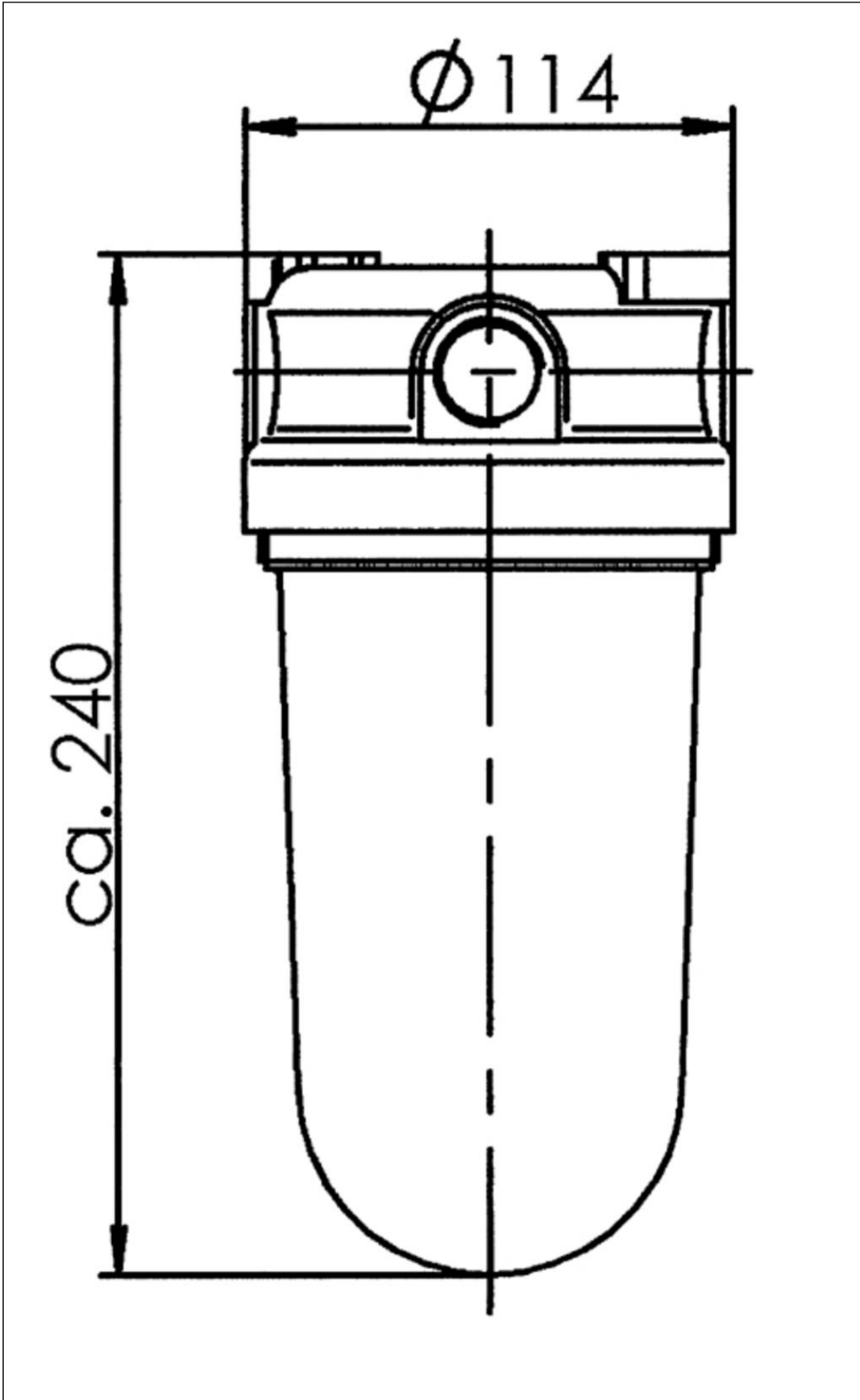
Your Contact:

WISKA UK Ltd.

Unit 7, Hurling Way · St. Columb Major Business Park · TR9 6SX, St. Columb Major, Cornwall · Great Britain

☎ +44-12-08816062 · 📠 +44-12-08816708

info@wiska.co.uk · www.wiska.co.uk



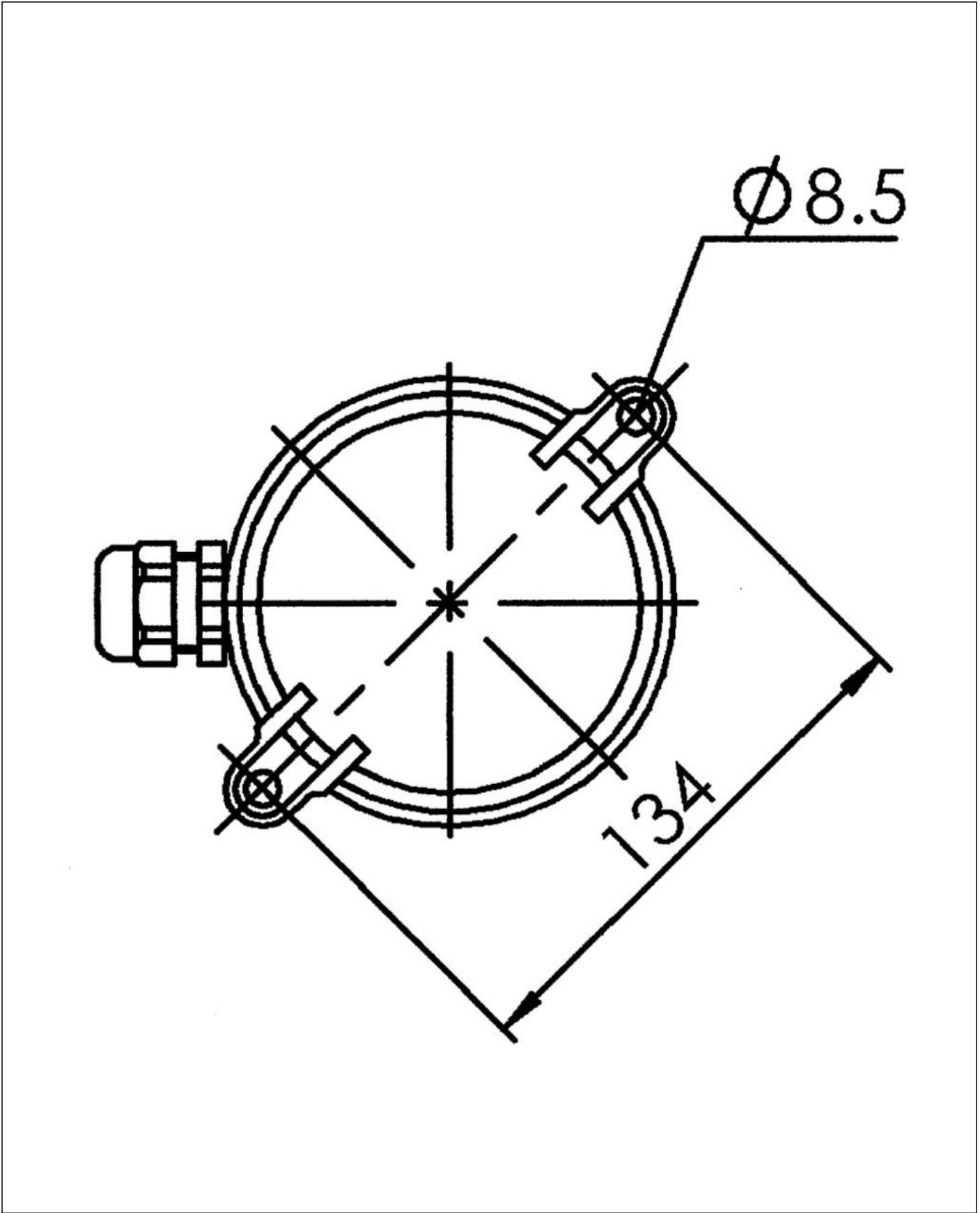
Your Contact:

WISKA UK Ltd.

Unit 7, Hurling Way · St. Columb Major Business Park · TR9 6SX, St. Columb Major, Cornwall · Great Britain

☎ +44-12-08816062 · 📠 +44-12-08816708

info@wiska.co.uk · www.wiska.co.uk



Your Contact:

WISKA UK Ltd.

Unit 7, Hurling Way · St. Columb Major Business Park · TR9 6SX, St. Columb Major, Cornwall · Great Britain

☎ +44-12-08816062 · 📠 +44-12-08816708

info@wiska.co.uk · www.wiska.co.uk