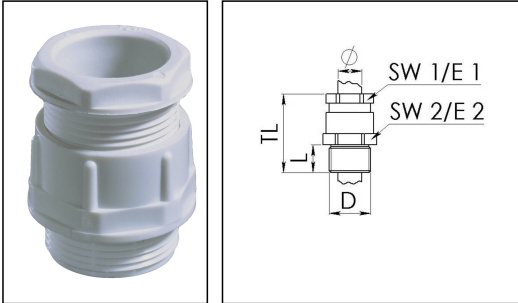


KVG 9

Cable gland, polyamide



Products may differ in size, colour and appearance to those shown. If you require further information or customisation, please contact us directly.



Material cable gland	Polyamide, fibre reinforced
Protection class	IP54
Temp. range min	-20 °C
Temp. range max	80 °C
Thread type	PG
Ø Connection thread D	9
Length screw-in thread L	8 mm
Ø cable diameter min	4,5 mm
Ø cable diameter max	7 mm
Key width SW1	16 mm
Key width SW2	19 mm
Collar diameter E1	17 mm
Collar diameter E2	21 mm
Total length TL	30 mm
Type	KVG 9
Product Color	RAL 7035
Order no. RAL 7035	10060142
Packing unit	50
ETIM-Classification	EC000441

Recommended accessories

MUG 9	10060671
ADR 9	10061420

Your Contact:

WISKA UK Ltd.

Unit 7, Hurling Way · St. Columb Major Business Park · TR9 6SX, St. Columb Major, Cornwall · Great Britain

☎ +44-12-08816062 · 📠 +44-12-08816708



info@wiska.co.uk · www.wiska.co.uk

21.06.2021

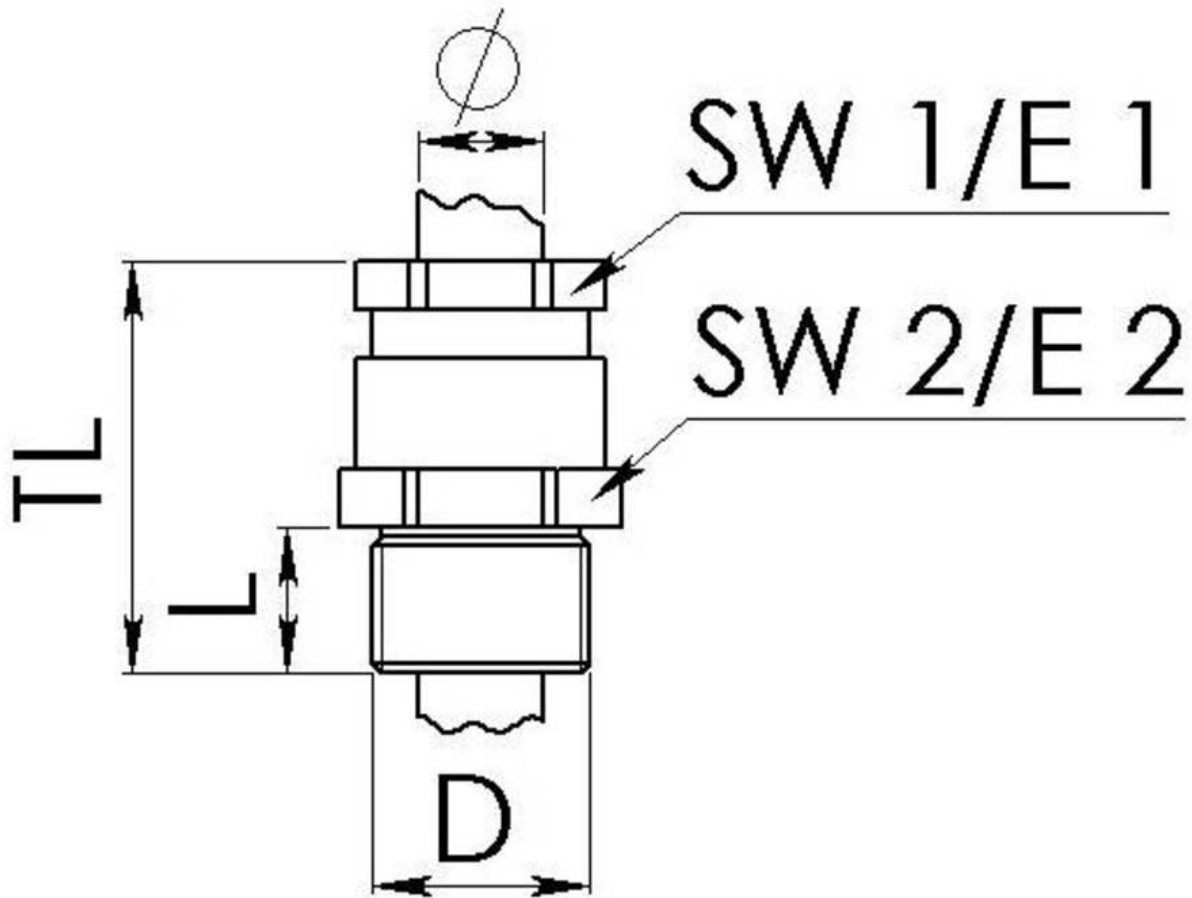
Your Contact:

WISKA UK Ltd.

Unit 7, Hurling Way · St. Columb Major Business Park · TR9 6SX, St. Columb Major, Cornwall · Great Britain

 +44-12-08816062 ·  +44-12-08816708

info@wiska.co.uk · www.wiska.co.uk



Your Contact:

WISKA UK Ltd.

Unit 7, Hurling Way · St. Columb Major Business Park · TR9 6SX, St. Columb Major, Cornwall · Great Britain

☎ +44-12-08816062 · 📠 +44-12-08816708

info@wiska.co.uk · www.wiska.co.uk