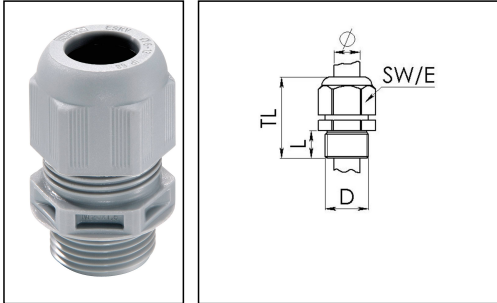


ESKV 25 LT

Cable gland LowTemp, polyamide with short thread



Product illustrations are exemplary and may differ from the chosen product. Further variants and individual customization, we will gladly provide you on request.



Material cable gland	Polyamide
Material sealing gasket	Silicone
Protection class	IP69, IP68 (5 bar 30 min)
Temp. range min	-60 °C
Temp. range max	100 °C
Glow wire test	750 °C
Thread type	M
Ø Connection thread D	25
Lead	1,5
Length screw-in thread L	10 mm
Ø cable diameter min	9 mm
Ø cable diameter max	17 mm
Key width SW	29 mm
Collar diameter (E)	32 mm
Total length TL	38 mm - 47 mm
Type of cable anchorage	A
Install. torques fitting	10 N/m
Install. torques cap nut	4 N/m
Impact category	4
Type	ESKV 25 LT
Product Color	RAL 7001
Order no. RAL 7001	10061463
Packing unit	50
ETIM-Classification	EC000441

Recommended accessories

RDE 25 LT	10063910
BS 17	10064012
EADR 25/90 LT	10105707

22.04.2018

