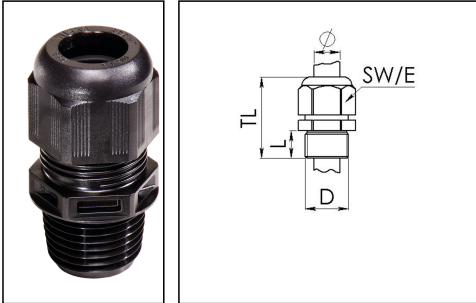


NSKV 2 LT

Cable gland LowTemp, polyamide



Products may differ in size, colour and appearance to those shown. If you require further information or customisation, please contact us directly.





Material cable gland	Polyamide
Material sealing gasket	Silicone
Protection class	IP68 (5 bar 30 min), IP69
Temp. range min	-60 °C
Temp. range max	100 °C
Glow wire test	750 °C
Thread type	NPT
Ø Connection thread D	2"
Length screw-in thread L	18 mm
Ø cable diameter min	34 mm
Ø cable diameter max	48 mm
Key width SW	68 mm
Collar diameter (E)	75 mm
Total length TL	69 mm - 84 mm
Type of cable anchorage	A
Install. torques fitting	39 N/m
Install. torques cap nut	30 N/m
Type	NSKV 2 LT
Product Color	RAL 9005
Order no. RAL 9005	10061496
Packing unit	3
ETIM-Classification	EC000441

Your Contact:

WISKA UK Ltd.

Unit 7, Hurling Way · St. Columb Major Business Park · TR9 6SX, St. Columb Major, Cornwall · Great Britain

☎ +44-12-08816062 · 📠 +44-12-08816708

info@wiska.co.uk · www.wiska.co.uk

Recommended accessories

RDE 63 LT	10063967
BS 48	10064019
EADR 63/90 LT	10105711

28.10.2021

Your Contact:

WISKA UK Ltd.

Unit 7, Hurling Way · St. Columb Major Business Park · TR9 6SX, St. Columb Major, Cornwall · Great Britain

 +44-12-08816062 ·  +44-12-08816708

info@wiska.co.uk · www.wiska.co.uk



Your Contact:

WISKA UK Ltd.

Unit 7, Hurling Way · St. Columb Major Business Park · TR9 6SX, St. Columb Major, Cornwall · Great Britain

☎ +44-12-08816062 · 📠 +44-12-08816708

info@wiska.co.uk · www.wiska.co.uk