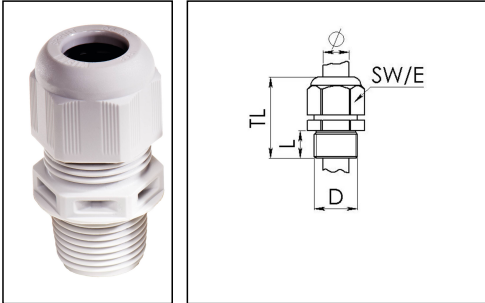


## NSKV 3/8

Cable gland, polyamide



Product illustrations are exemplary and may differ from the chosen product. Further variants and individual customization, we will gladly provide you on request.



<b>Material cable gland</b>	Polyamide
<b>Material sealing gasket</b>	EPDM
<b>Temp. range min</b>	-40 °C
<b>Temp. range max</b>	100 °C
<b>Protection class</b>	IP69, IP68 (5 bar 30 min)
<b>Thread type</b>	NPT
<b>Ø Connection thread D</b>	3/8"
<b>Length screw-in thread L</b>	15 mm
<b>Ø cable diameter min</b>	4,5 mm
<b>Ø cable diameter max</b>	10 mm
<b>Ø cable diameter UL</b>	6 mm - 8,6 mm
<b>Key width SW</b>	20 mm
<b>Collar diameter (E)</b>	22 mm
<b>Total length TL</b>	35 mm - 41 mm
<b>Glow wire test</b>	750 °C
<b>Install. torques cap nut</b>	1,5 N/m
<b>Type of cable anchorage</b>	A
<b>Install. torques fitting</b>	3,5 N/m
<b>Impact category</b>	2
<b>Product Color</b>	RAL 7035
<b>Order no. RAL 7035</b>	10062656
<b>Type</b>	NSKV 3/8
<b>Packing unit</b>	50
<b>ETIM-Classification</b>	EC000441

Your Contact:

**WISKA UK Ltd.**

Unit 7, Hurling Way · St. Columb Major Business Park · TR9 6SX, St. Columb Major, Cornwall · Great Britain

☎ +44-12-08816062 · 📠 +44-12-08816708

info@wiska.co.uk · www.wiska.co.uk

**Recommended accessories**



<b>RDE 16</b>	10062184
<b>BS 10</b>	10064008

24.05.2019

Your Contact:

**WISKA UK Ltd.**

Unit 7, Hurling Way · St. Columb Major Business Park · TR9 6SX, St. Columb Major, Cornwall · Great Britain

 +44-12-08816062 ·  +44-12-08816708

info@wiska.co.uk · www.wiska.co.uk



Your Contact:

**WISKA UK Ltd.**

Unit 7, Hurling Way · St. Columb Major Business Park · TR9 6SX, St. Columb Major, Cornwall · Great Britain

☎ +44-12-08816062 · 📠 +44-12-08816708

info@wiska.co.uk · www.wiska.co.uk