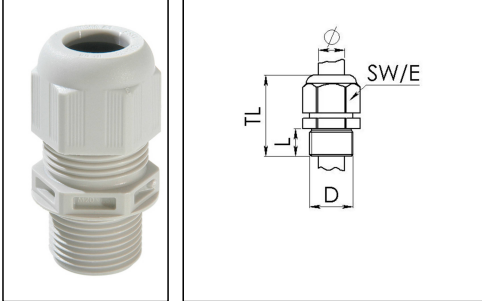


## ESKV-L 32 LT

Cable gland LowTemp, polyamide with long thread



Products may differ in size, colour and appearance to those shown. If you require further information or customisation, please contact us directly.



<b>Material cable gland</b>	Polyamide
<b>Material sealing gasket</b>	Silicone
<b>Protection class</b>	IP69, IP68 (5 bar 30 min)
<b>Temp. range min</b>	-60 °C
<b>Temp. range max</b>	100 °C
<b>Glow wire test</b>	750 °C
<b>Thread type</b>	M
<b>Ø Connection thread D</b>	32
<b>Lead</b>	1,5
<b>Length screw-in thread L</b>	15 mm
<b>Ø cable diameter min</b>	13 mm
<b>Ø cable diameter max</b>	21 mm
<b>Key width SW</b>	36 mm
<b>Collar diameter (E)</b>	40 mm
<b>Total length TL</b>	45 mm - 54 mm
<b>Type of cable anchorage</b>	A
<b>Install. torques fitting</b>	15 N/m
<b>Install. torques fitting/EADR</b>	4 N/m
<b>Install. torques cap nut</b>	4 N/m
<b>Impact category</b>	4
<b>Type</b>	ESKV-L 32 LT
<b>Product Color</b>	RAL 7035
<b>Order no. RAL 7035</b>	10062759
<b>Packing unit</b>	25
<b>ETIM-Classification</b>	EC000441

Your Contact:

**WISKA UK Ltd.**

Unit 7, Hurling Way · St. Columb Major Business Park · TR9 6SX, St. Columb Major, Cornwall · Great Britain

☎ +44-12-08816062 · 📠 +44-12-08816708

info@wiska.co.uk · www.wiska.co.uk

**Recommended accessories**



<b>RDE 32 LT</b>	10063934
<b>BS 21</b>	10064014
<b>EADR 32/90 LT</b>	10105708

28.10.2021

Your Contact:

**WISKA UK Ltd.**

Unit 7, Hurling Way · St. Columb Major Business Park · TR9 6SX, St. Columb Major, Cornwall · Great Britain

 +44-12-08816062 ·  +44-12-08816708

info@wiska.co.uk · www.wiska.co.uk



Your Contact:

**WISKA UK Ltd.**

Unit 7, Hurling Way · St. Columb Major Business Park · TR9 6SX, St. Columb Major, Cornwall · Great Britain

☎ +44-12-08816062 · 📠 +44-12-08816708

info@wiska.co.uk · www.wiska.co.uk