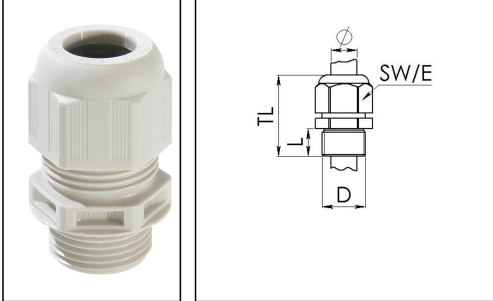


ESKV 25 LT

Cable gland LowTemp, polyamide with short thread



Product illustrations are exemplary and may differ from the chosen product. Further variants and individual customization, we will gladly provide you on request.



| | |
|---------------------------------|---------------------------|
| Material cable gland | Polyamide |
| Material sealing gasket | Silicone |
| Protection class | IP69, IP68 (5 bar 30 min) |
| Temp. range min | -60 °C |
| Temp. range max | 100 °C |
| Glow wire test | 750 °C |
| Thread type | M |
| Ø Connection thread D | 25 |
| Lead | 1,5 |
| Length screw-in thread L | 10 mm |
| Ø cable diameter min | 9 mm |
| Ø cable diameter max | 17 mm |
| Key width SW | 29 mm |
| Collar diameter (E) | 32 mm |
| Total length TL | 38 mm - 47 mm |
| Type of cable anchorage | A |
| Install. torques fitting | 10 N/m |
| Install. torques cap nut | 4 N/m |
| Impact category | 4 |
| Type | ESKV 25 LT |
| Product Color | RAL 7035 |
| Order no. RAL 7035 | 10062779 |
| Packing unit | 50 |
| ETIM-Classification | EC000441 |

Your Contact:

WISKA UK Ltd.

Unit 7, Hurling Way · St. Columb Major Business Park · TR9 6SX, St. Columb Major, Cornwall · Great Britain

☎ +44-12-08816062 · 📠 +44-12-08816708

info@wiska.co.uk · www.wiska.co.uk

Recommended accessories

| | |
|----------------------|----------|
| RDE 25 LT | 10063910 |
| BS 17 | 10064012 |
| EADR 25/90 LT | 10105707 |

16.11.2018

Your Contact:

WISKA UK Ltd.

Unit 7, Hurling Way · St. Columb Major Business Park · TR9 6SX, St. Columb Major, Cornwall · Great Britain

☎ +44-12-08816062 · 📠 +44-12-08816708

info@wiska.co.uk · www.wiska.co.uk



Your Contact:

WISKA UK Ltd.

Unit 7, Hurling Way · St. Columb Major Business Park · TR9 6SX, St. Columb Major, Cornwall · Great Britain

☎ +44-12-08816062 · 📠 +44-12-08816708

info@wiska.co.uk · www.wiska.co.uk