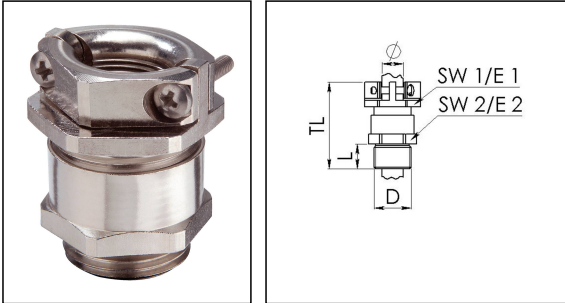


## ESKMKV 40

Cable gland, brass with external strain relief and short thread



Products may differ in size, colour and appearance to those shown. If you require further information or customisation, please contact us directly.



|                                 |                     |
|---------------------------------|---------------------|
| <b>Material cable gland</b>     | Brass nickel-plated |
| <b>Material sealing gasket</b>  | Soft rubber         |
| <b>Temp. range min</b>          | -30 °C              |
| <b>Temp. range max</b>          | 80 °C               |
| <b>Protection class</b>         | IP54                |
| <b>Thread type</b>              | M                   |
| <b>Ø Connection thread D</b>    | 40                  |
| <b>Lead</b>                     | 1,5                 |
| <b>Length screw-in thread L</b> | 8 mm                |
| <b>Ø cable diameter min</b>     | 23 mm               |
| <b>Ø cable diameter max</b>     | 34 mm               |
| <b>Key width SW1</b>            | 52 mm               |
| <b>Key width SW2</b>            | 50 mm               |
| <b>Collar diameter E1</b>       | 56 mm               |
| <b>Collar diameter E2</b>       | 54 mm               |
| <b>Total length TL</b>          | 48 mm               |
| <b>Impact category</b>          | 6                   |
| <b>Surface</b>                  | Nickel-plated       |
| <b>Order no. nickel-plated</b>  | 10063137            |
| <b>Type</b>                     | ESKMKV 40           |
| <b>Packing unit</b>             | 10                  |
| <b>Tariff number</b>            | 74198090            |
| <b>EAN number</b>               | 4007685631372       |
| <b>ETIM-Classification</b>      | EC000441            |

Your Contact:

**WISKA UK Ltd.**

Unit 7, Hurling Way · St. Columb Major Business Park · TR9 6SX, St. Columb Major, Cornwall · Great Britain

☎ +44-12-08816062 · 📠 +44-12-08816708

info@wiska.co.uk · www.wiska.co.uk

**Recommended accessories**



|                 |          |
|-----------------|----------|
| <b>EMMU 40</b>  | 10063146 |
| <b>ORD-E 40</b> | 10064702 |

13.12.2024

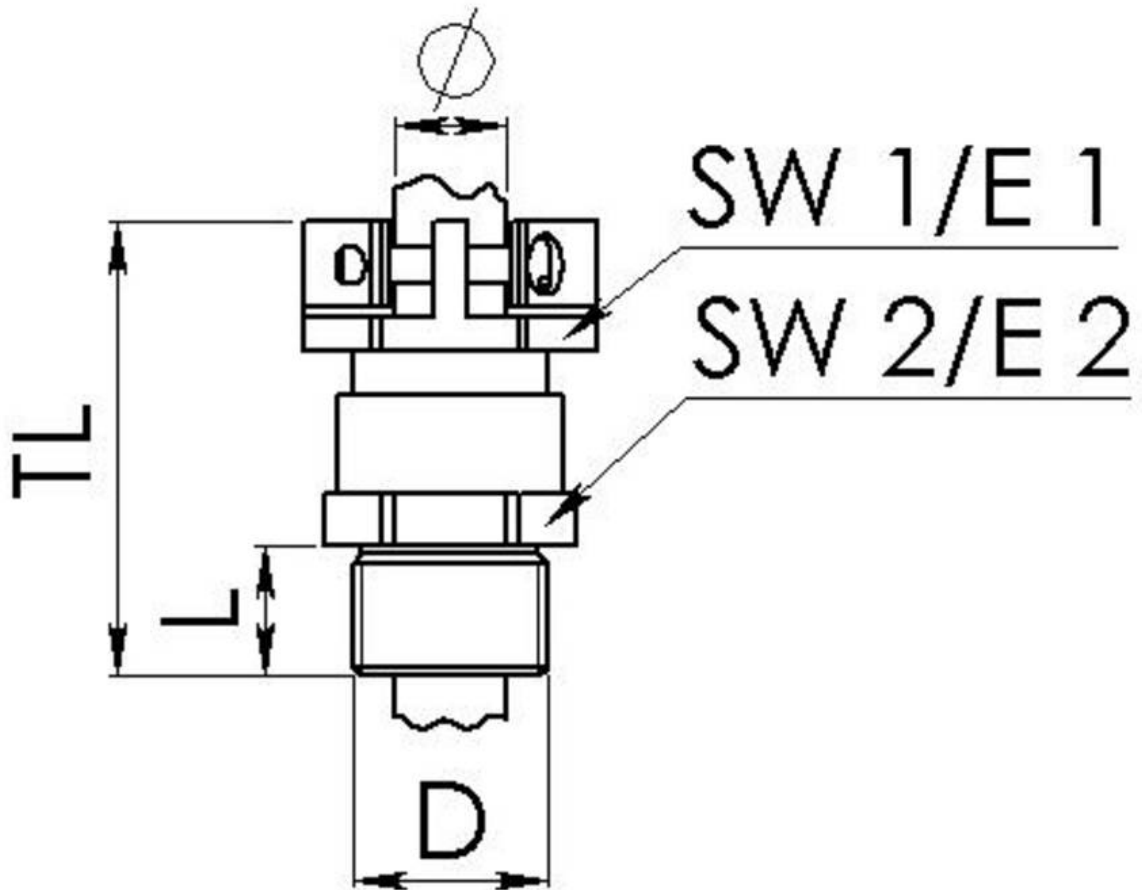
Your Contact:

**WISKA UK Ltd.**

Unit 7, Hurling Way · St. Columb Major Business Park · TR9 6SX, St. Columb Major, Cornwall · Great Britain

 +44-12-08816062 ·  +44-12-08816708

info@wiska.co.uk · www.wiska.co.uk



Your Contact:

**WISKA UK Ltd.**

Unit 7, Hurling Way · St. Columb Major Business Park · TR9 6SX, St. Columb Major, Cornwall · Great Britain

☎ +44-12-08816062 · 📠 +44-12-08816708

info@wiska.co.uk · www.wiska.co.uk