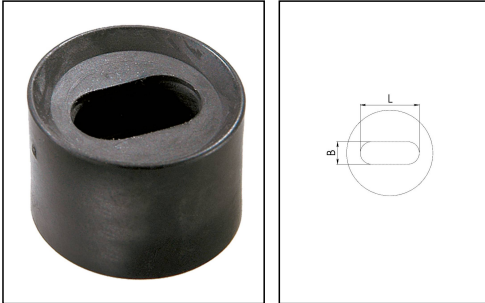


## FFD 20/01/056-102

### Sealing for flat cable



Products may differ in size, colour and appearance to those shown. If you require further information or customisation, please contact us directly.



<b>Material</b>	Thermoplastic elastomer
<b>Temp. range min</b>	-40 °C
<b>Temp. range max</b>	100 °C
<b>Protection class</b>	IP66
<b>Thickness flat cable B min</b>	4,6 mm
<b>Thickness flat cable B max</b>	5,6 mm
<b>Flat cable width L min</b>	9,7 mm
<b>Flat cable width L max</b>	10,2 mm
<b>Quantity of cable</b>	1
<b>Using for cable gland</b>	SPRINT 20
<b>Product Color</b>	RAL 9005
<b>Order no. RAL 9005</b>	10064322
<b>Type</b>	FFD 20/01/056-102
<b>Packing unit</b>	25
<b>M_00000191</b>	4007685643221
<b>Tariff number</b>	39269097
<b>ETIM-Classification</b>	EC000441

13.05.2024

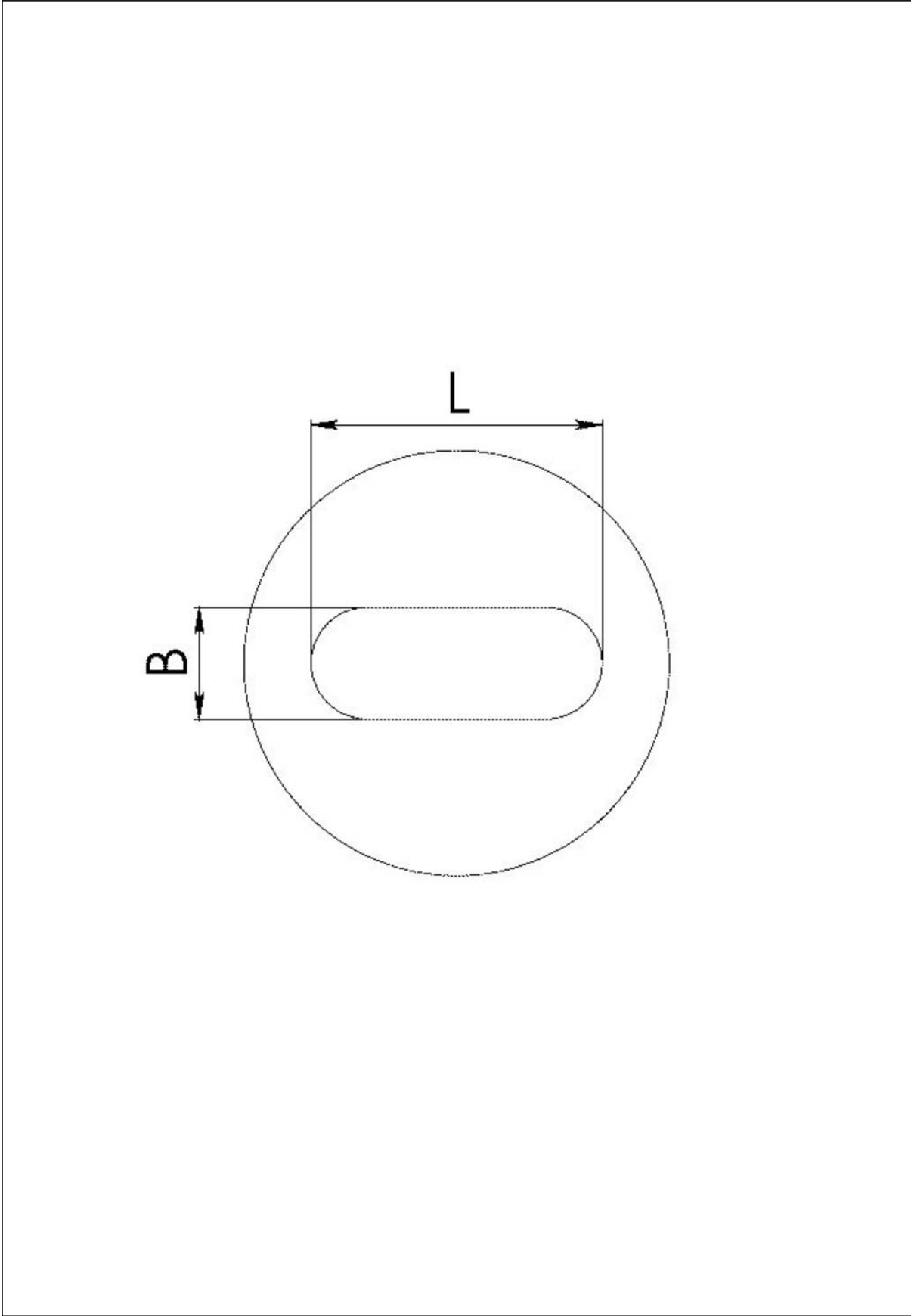
Your Contact:

**WISKA UK Ltd.**

Unit 7, Hurling Way · St. Columb Major Business Park · TR9 6SX, St. Columb Major, Cornwall · Great Britain

☎ +44-12-08816062 · 📠 +44-12-08816708

info@wiska.co.uk · www.wiska.co.uk



Your Contact:

**WISKA UK Ltd.**

Unit 7, Hurling Way · St. Columb Major Business Park · TR9 6SX, St. Columb Major, Cornwall · Great Britain

☎ +44-12-08816062 · 📠 +44-12-08816708

info@wiska.co.uk · www.wiska.co.uk