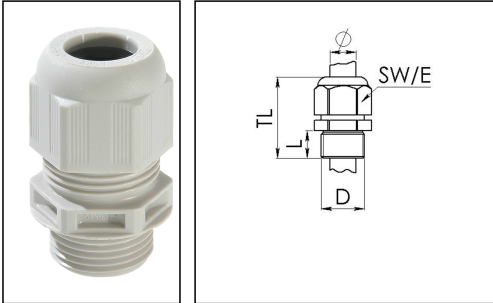


ESKV-F 25

Cable gland flame-retardant, polyamide



Product illustrations are exemplary and may differ from the chosen product. Further variants and individual customization, we will gladly provide you on request.

SPRINT

habege



| | |
|---------------------------------|----------------------------|
| Material cable gland | Polyamide, flame-retardant |
| Material sealing gasket | EPDM |
| Protection class | IP69, IP68 (5 bar 30 min) |
| Temp. range min | -40 °C |
| Temp. range max | 100 °C |
| Glow wire test | 960 °C |
| Thread type | M |
| Ø Connection thread D | 25 |
| Lead | 1,5 |
| Length screw-in thread L | 10 mm |
| Ø cable diameter min | 9 mm |
| Ø cable diameter max | 17 mm |
| Key width SW | 29 mm |
| Collar diameter (E) | 32 mm |
| Total length TL | 38 mm - 47 mm |
| Type of cable anchorage | A |
| Install. torques fitting | 10 N/m |
| Install. torques cap nut | 4 N/m |
| Type | ESKV-F 25 |
| Product Color | RAL 7035 |
| Order no. RAL 7035 | 10064629 |
| Packing unit | 50 |
| ETIM-Classification | EC000441 |

Your Contact:

WISKA UK Ltd.

Unit 7, Hurling Way · St. Columb Major Business Park · TR9 6SX, St. Columb Major, Cornwall · Great Britain

☎ +44-12-08816062 · 📠 +44-12-08816708

info@wiska.co.uk · www.wiska.co.uk

Recommended accessories

| | |
|-----------------------------|----------|
| MFD 25/02/060 | 10060452 |
| RDE 25 | 10060768 |
| EMUF 25 | 10060813 |
| MFD 25/02/080 | 10060952 |
| MFD 25/01/065 | 10060954 |
| EADR 25 | 10062804 |
| MFD 25/02/070 | 10063995 |
| BS 17 | 10064012 |
| MFD 25/03/070 | 10064342 |
| MFD 25/04/060 | 10064343 |
| MFD 25/01/090 | 10101016 |
| MFD 25/01/105-01/055 | 10101255 |
| MFD 25/05/056 | 10102023 |

24.05.2019

Your Contact:

WISKA UK Ltd.

Unit 7, Hurling Way · St. Columb Major Business Park · TR9 6SX, St. Columb Major, Cornwall · Great Britain

☎ +44-12-08816062 · 📠 +44-12-08816708

info@wiska.co.uk · www.wiska.co.uk



Your Contact:

WISKA UK Ltd.

Unit 7, Hurling Way · St. Columb Major Business Park · TR9 6SX, St. Columb Major, Cornwall · Great Britain

☎ +44-12-08816062 · 📠 +44-12-08816708

info@wiska.co.uk · www.wiska.co.uk