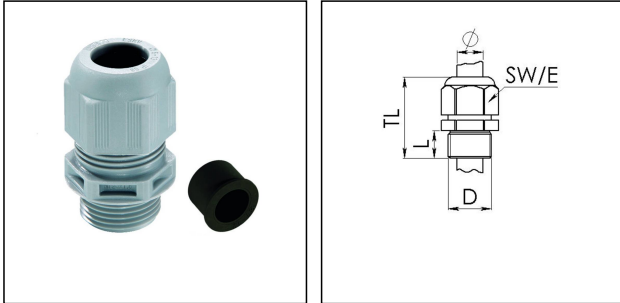


ESKV-RDE 16

Cable gland with reduction sealing insert, polyamide



Product illustrations are exemplary and may differ from the chosen product. Further variants and individual customization, we will gladly provide you on request.



Material cable gland	Polyamide
Material sealing gasket	EPDM
Temp. range min	-40 °C
Temp. range max	100 °C
Protection class	IP69, IP68 (5 bar 30 min)
Thread type	M
Ø Connection thread D	16
Lead	1,5
Length screw-in thread L	9 mm
Ø cable diameter min	2 mm
Ø cable diameter max	10 mm
Key width SW	20 mm
Collar diameter (E)	22 mm
Total length TL	31 mm - 37 mm
Glow wire test	750 °C
Type of cable anchorage	A
Install. torques fitting	3,5 N/m
Install. torques cap nut	1,5 N/m
Impact category	3
Advice	With reduction insert
Product Color	RAL 7001
Order no. RAL 7001	10064985
Type	ESKV-RDE 16
Packing unit	50
ETIM-Classification	EC000441

Recommended accessories

EMUG 16	10062713
EADR 16	10062802
BS 6	10064004

24.02.2018

