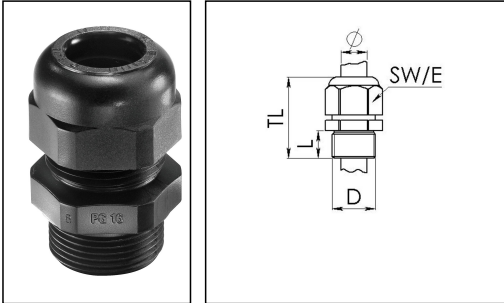


## SKV 21 BK

Cable gland, polyamide



Products may differ in size, colour and appearance to those shown. If you require further information or customisation, please contact us directly.



<b>Material cable gland</b>	Polyamide
<b>Material sealing gasket</b>	EPDM
<b>Protection class</b>	IP68 (5 bar 30 min)
<b>Temp. range min</b>	-40 °C
<b>Temp. range max</b>	100 °C
<b>Glow wire test</b>	750 °C
<b>Thread type</b>	PG
<b>Ø Connection thread D</b>	21
<b>Length screw-in thread L</b>	11 mm
<b>Ø cable diameter min</b>	10 mm
<b>Ø cable diameter max</b>	18 mm
<b>Key width SW</b>	33 mm
<b>Collar diameter (E)</b>	36 mm
<b>Total length TL</b>	43 mm - 50 mm
<b>Type of cable anchorage</b>	A
<b>Type</b>	SKV 21 BK
<b>Product Color</b>	RAL 9005
<b>Order no. RAL 9005</b>	10066196
<b>Packing unit</b>	25
<b>Tariff number</b>	39269097
<b>EAN number</b>	4007685661966
<b>ETIM-Classification</b>	EC000441

Your Contact:

WISKA UK Ltd.

Unit 7, Hurling Way · St. Columb Major Business Park · TR9 6SX, St. Columb Major, Cornwall · Great Britain

☎ +44-12-08816062 · 📠 +44-12-08816708

info@wiska.co.uk · www.wiska.co.uk

**Recommended accessories**



<b>MUG 21 BK</b>	10060685
<b>ADR 21</b>	10061424
<b>BS 17</b>	10064012

05.11.2024

Your Contact:

**WISKA UK Ltd.**

Unit 7, Hurling Way · St. Columb Major Business Park · TR9 6SX, St. Columb Major, Cornwall · Great Britain

 +44-12-08816062 ·  +44-12-08816708

info@wiska.co.uk · www.wiska.co.uk



Your Contact:

**WISKA UK Ltd.**

Unit 7, Hurling Way · St. Columb Major Business Park · TR9 6SX, St. Columb Major, Cornwall · Great Britain

☎ +44-12-08816062 · 📠 +44-12-08816708

info@wiska.co.uk · www.wiska.co.uk