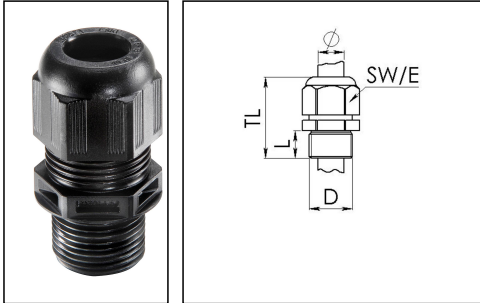


## ESKV-L 12

Cable gland, polyamide with long thread



Product illustrations are exemplary and may differ from the chosen product. Further variants and individual customization, we will gladly provide you on request.



Material cable gland	Polyamide
Material sealing gasket	EPDM
Protection class	IP69, IP68 (5 bar 30 min)
Temp. range min	-40 °C
Temp. range max	100 °C
Glow wire test	750 °C
Thread type	M
Ø Connection thread D	12
Lead	1,5
Length screw-in thread L	15 mm
Ø cable diameter min	3 mm
Ø cable diameter max	7 mm
Ø cable diameter UL	4,1 mm - 6 mm
Key width SW	16 mm
Collar diameter (E)	18 mm
Total length TL	35 mm - 40 mm
Type of cable anchorage	A
Install. torques fitting	2 N/m
Install. torques cap nut	2 N/m
Impact category	2
Type	ESKV-L 12
Product Color	RAL 9005
Order no. RAL 9005	10066500
Packing unit	50
ETIM-Classification	EC000441

Recommended accessories

<b>EMUG 12</b>	10061780
<b>RDE 12</b>	10062183
<b>EADR 12</b>	10062801
<b>BS 7</b>	10064005
<b>MFD 12/04/020</b>	10064392
<b>MFD 12/02/020</b>	10100525

19.04.2018

