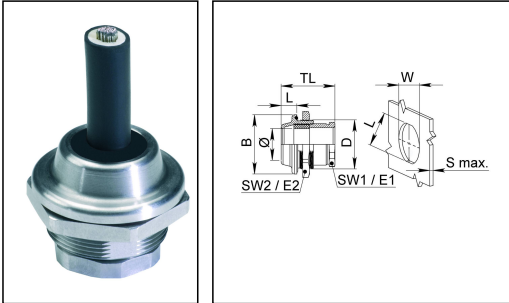


HGSM 16-E pack

Cable gland, stainless steel



Products may differ in size, colour and appearance to those shown. If you require further information or customisation, please contact us directly.



Material cable gland	Stainless steel A2 (1.4305)
Material sealing gasket	EPDM
Temp. range min	-40 °C
Temp. range max	120 °C
Protection class	IP69, IP68 (5 bar 30 min)
Thread type	M
Ø Connection thread D	16
Lead	0,75
Ø cable diameter min	2 mm
Ø cable diameter max	9 mm
Key width SW1	12 mm
Key width SW2	19 mm
Collar diameter E1	13 mm
Collar diameter E2	21 mm
LxWxS (max)	14,5x16x5mm
BxL	21x7mm
Total length TL	17,5 mm - 24,5 mm
Advice	Incl. sealing rings, locknut
WISKA-Order no.	10101854
Type	HGSM 16-E pack
Packing unit	1
ETIM-Classification	EC000441

21.06.2021

Your Contact:

WISKA UK Ltd.

Unit 7, Hurling Way · St. Columb Major Business Park · TR9 6SX, St. Columb Major, Cornwall · Great Britain

☎ +44-12-08816062 · 📠 +44-12-08816708

info@wiska.co.uk · www.wiska.co.uk



Your Contact:

WISKA UK Ltd.

Unit 7, Hurling Way · St. Columb Major Business Park · TR9 6SX, St. Columb Major, Cornwall · Great Britain

☎ +44-12-08816062 · 📠 +44-12-08816708

info@wiska.co.uk · www.wiska.co.uk