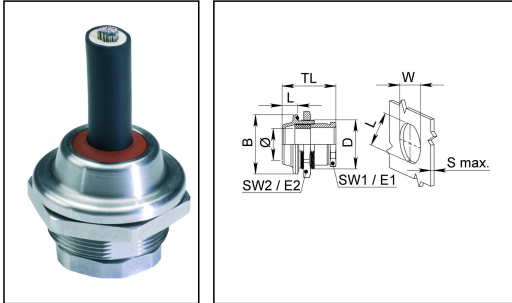


HGSM 40-LT pack

Cable gland, stainless steel



Products may differ in size, colour and appearance to those shown. If you require further information or customisation, please contact us directly.



Material cable gland	Stainless steel A2 (1.4305)
Material sealing gasket	Silicone
Temp. range min	-60 °C
Temp. range max	180 °C
Protection class	IP69, IP68 (5 bar 30 min)
Thread type	M
Ø Connection thread D	40
Lead	1,5
Ø cable diameter min	16 mm
Ø cable diameter max	29 mm
Key width SW1	35 mm
Key width SW2	46 mm
Collar diameter E1	37 mm
Collar diameter E2	50 mm
LxWxS (max)	37x40x10mm
BxL	46x14mm
Total length TL	33 mm - 47 mm
Advice	Incl. sealing rings, locknut
WISKA-Order no.	10102121
Type	HGSM 40-LT pack
Packing unit	1
ETIM-Classification	EC000441

05.11.2024

Your Contact:

WISKA UK Ltd.

Unit 7, Hurling Way · St. Columb Major Business Park · TR9 6SX, St. Columb Major, Cornwall · Great Britain

☎ +44-12-08816062 · 📠 +44-12-08816708

info@wiska.co.uk · www.wiska.co.uk



Your Contact:

WISKA UK Ltd.

Unit 7, Hurling Way · St. Columb Major Business Park · TR9 6SX, St. Columb Major, Cornwall · Great Britain

☎ +44-12-08816062 · 📠 +44-12-08816708

info@wiska.co.uk · www.wiska.co.uk