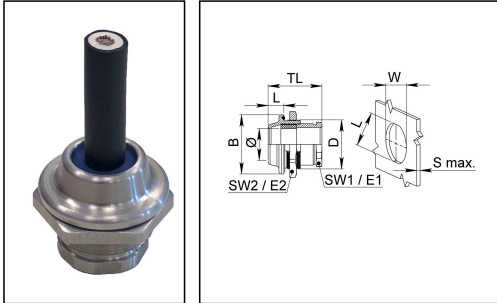


## HGSM 32 FD pack

Cable gland, stainless steel



Products may differ in size, colour and appearance to those shown. If you require further information or customisation, please contact us directly.



<b>Material cable gland</b>	Stainless steel A2 (1.4305)
<b>Material sealing gasket</b>	Silicone
<b>Temp. range min</b>	-60 °C
<b>Temp. range max</b>	180 °C
<b>Protection class</b>	IP69, IP68 (5 bar 30 min)
<b>Thread type</b>	M
<b>Ø Connection thread D</b>	32
<b>Lead</b>	0,75
<b>Ø cable diameter min</b>	9 mm
<b>Ø cable diameter max</b>	23 mm
<b>Key width SW1</b>	28 mm
<b>Key width SW2</b>	36 mm
<b>Collar diameter E1</b>	30 mm
<b>Collar diameter E2</b>	40 mm
<b>LxWxS (max)</b>	30x32x10mm
<b>BxL</b>	38x11mm
<b>Total length TL</b>	27,5 mm - 39,5 mm
<b>Advice</b>	Incl. sealing rings, locknut
<b>WISKA-Order no.</b>	10103627
<b>Type</b>	HGSM 32 FD pack
<b>Packing unit</b>	1

30.11.2020

Your Contact:

**WISKA UK Ltd.**

Unit 7, Hurling Way · St. Columb Major Business Park · TR9 6SX, St. Columb Major, Cornwall · Great Britain

☎ +44-12-08816062 · 📠 +44-12-08816708

info@wiska.co.uk · www.wiska.co.uk



Your Contact:

**WISKA UK Ltd.**

Unit 7, Hurling Way · St. Columb Major Business Park · TR9 6SX, St. Columb Major, Cornwall · Great Britain

☎ +44-12-08816062 · 📠 +44-12-08816708

info@wiska.co.uk · www.wiska.co.uk