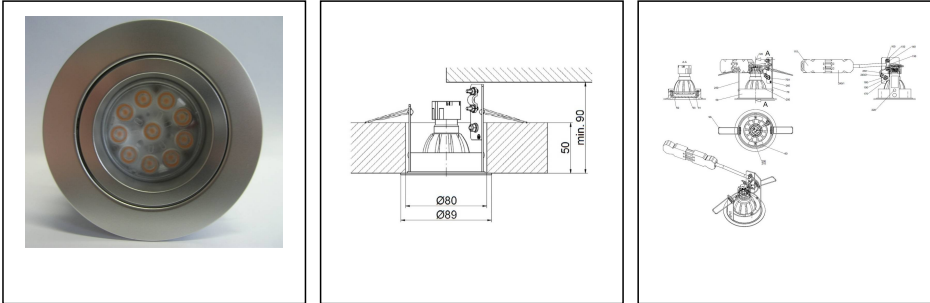


## DL61-1x6W-220/240-827-red



Products may differ in size, colour and appearance to those shown. If you require further information or customisation, please contact us directly.

<b>WISKA-Order no.</b>	10106329
<b>Type</b>	DL61-1x6W-220/240-827-red
<b>Material</b>	Aluminium
<b>Material globe/diffuser</b>	Glass
<b>Globe colour</b>	Red
<b>Wattage</b>	6 W
<b>Power<sup>^</sup></b>	1 x 6 W
<b>Voltage</b>	230 V
<b>Voltage min. (V)</b>	220 V
<b>Voltage max. (V)</b>	240 V
<b>Type of Voltage</b>	AC
<b>Frequency</b>	50/60 Hz
<b>Protection class</b>	IP20
<b>Operational areas</b>	Indoor accomodation
<b>Lampholder</b>	GU10
<b>Number of lampholder</b>	1 items
<b>Lightsource</b>	LED
<b>Lightsource incl.</b>	Yes
<b>Bulb shape</b>	reflector
<b>Colour temperature</b>	2700 K
<b>Light colour</b>	827 (warm white extra)
<b>Average lamp durability</b>	15000 h
<b>Power supply, electronic</b>	50-60Hz, 220-230VAC
<b>Mounting</b>	Recessed mounting
<b>External dimensions LxWxH</b>	98x89mm

Your Contact:

**WISKA UK Ltd.**

Unit 7, Hurling Way · St. Columb Major Business Park · TR9 6SX, St. Columb Major, Cornwall · Great Britain

☎ +44-12-08816062 · 📠 +44-12-08816708

info@wiska.co.uk · www.wiska.co.uk

<b>Surface</b>	anodized
<b>Tariff number</b>	94051990

Remarks:

Downlight DL61 WISKA  
IP20 220-240V  
inclusive 1 LED reflector 8W  
lightcolour 827  
lampholder GU10  
Housing: aluminium anodized,  
seewater resistant;  
Reflector: aluminium  
Cover: glass, red  
Outer diameter: 89mm  
cut out: 90mm  
suitable for ceiling thickness of 35-50mm  
connecting cable 1,0m + Wieland quick  
connector male 92.932.3053.1 / female 92.931.3053.1

**Recommended accessories**

<b>Arteor square eco-dimmer 230V 400W</b>	50105257
---	----------

20.05.2024

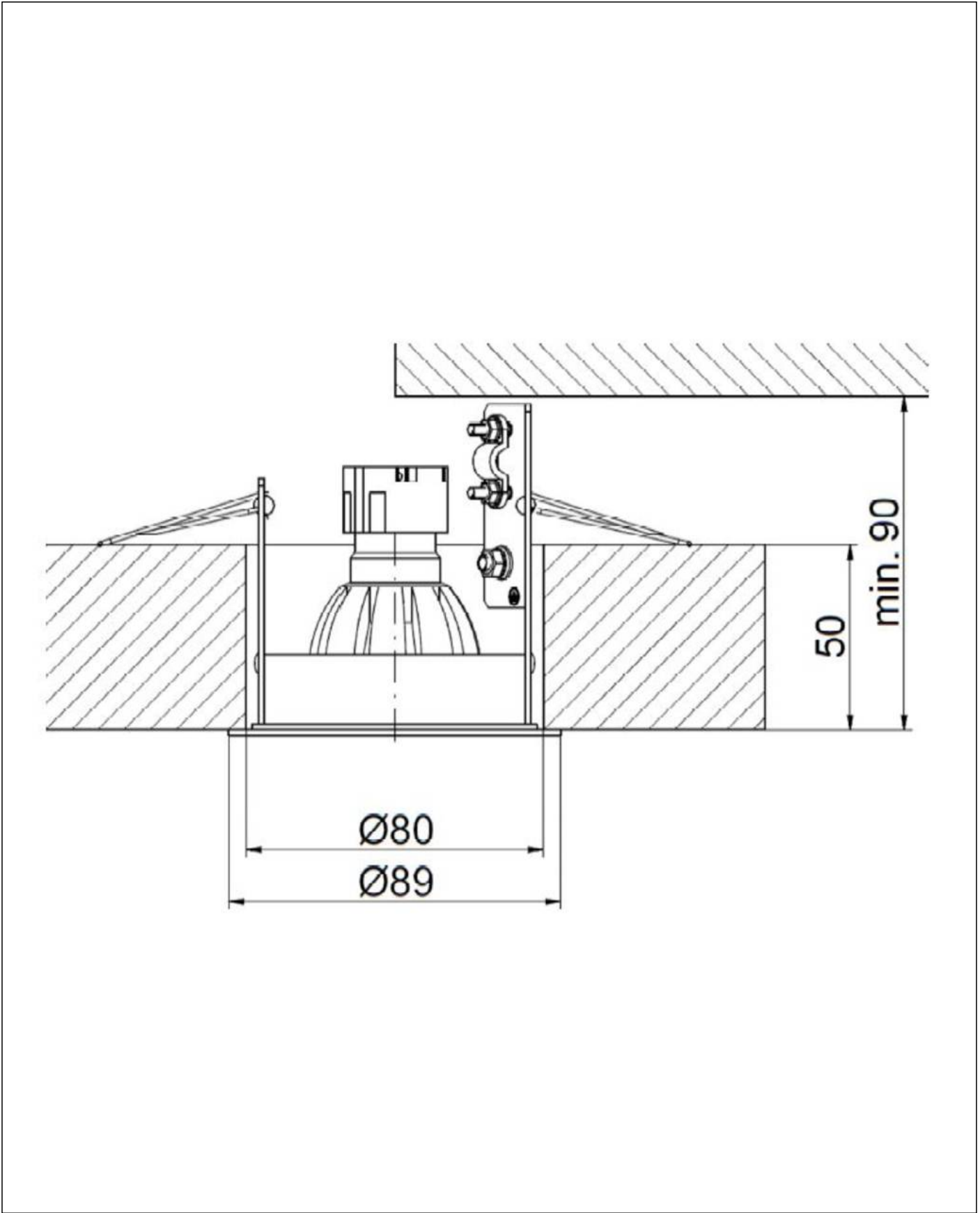
Your Contact:

**WISKA UK Ltd.**

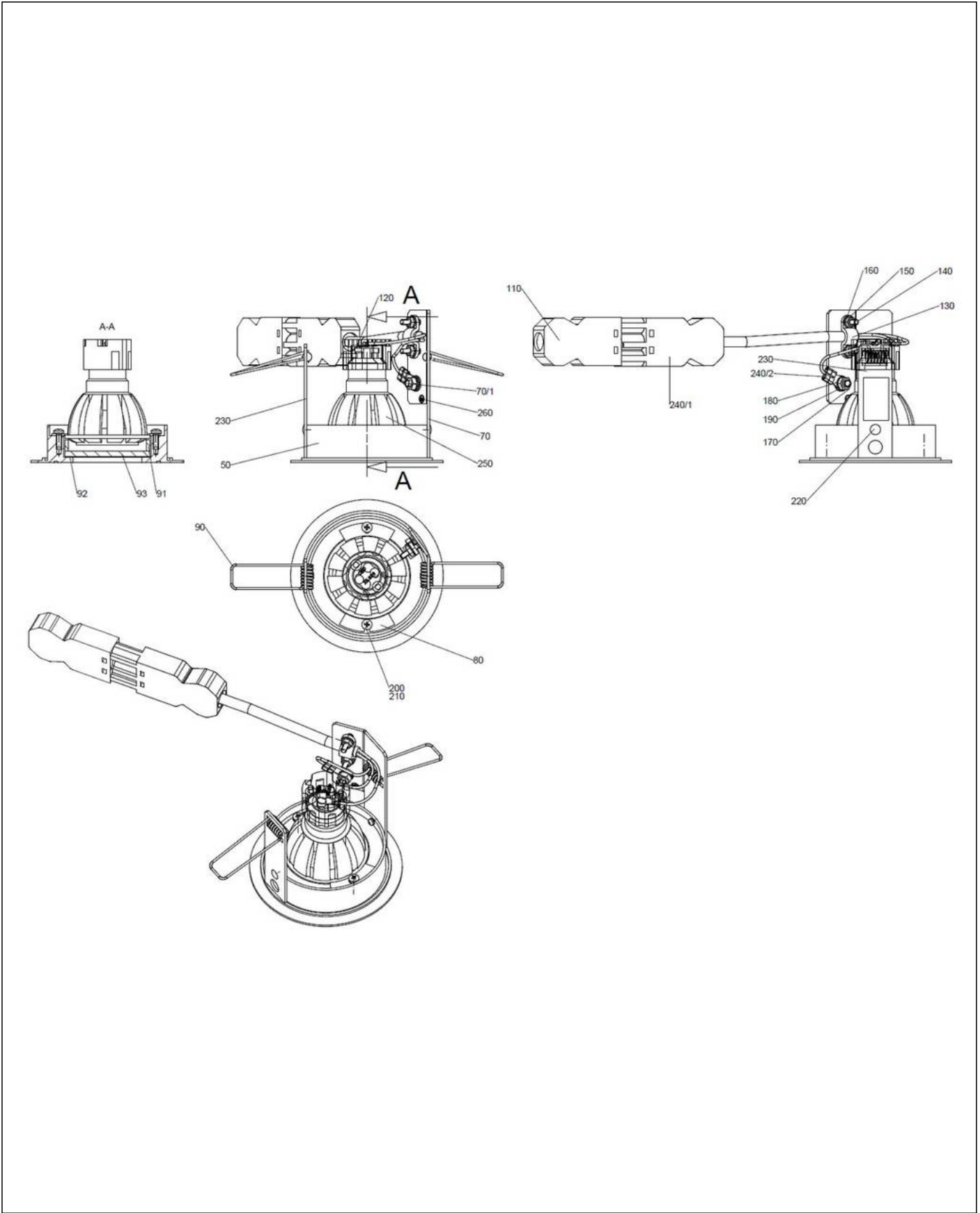
Unit 7, Hurling Way · St. Columb Major Business Park · TR9 6SX, St. Columb Major, Cornwall · Great Britain

☎ +44-12-08816062 · 📠 +44-12-08816708

info@wiska.co.uk · www.wiska.co.uk



Your Contact:  
**WISKA UK Ltd.**  
Unit 7, Hurling Way · St. Columb Major Business Park · TR9 6SX, St. Columb Major, Cornwall · Great Britain  
☎ +44-12-08816062 · 📠 +44-12-08816708  
info@wiska.co.uk · www.wiska.co.uk



Your Contact:

**WISKA UK Ltd.**

Unit 7, Hurling Way · St. Columb Major Business Park · TR9 6SX, St. Columb Major, Cornwall · Great Britain

☎ +44-12-08816062 · 📠 +44-12-08816708

info@wiska.co.uk · www.wiska.co.uk