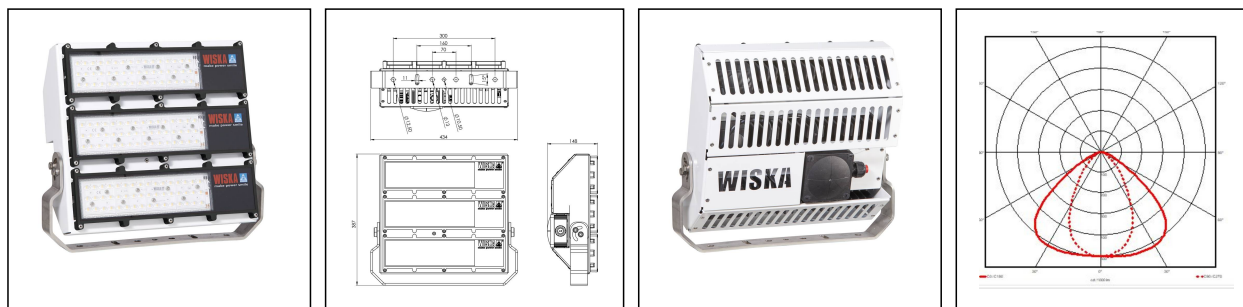


5000-3x40W-MV-WB-FN-1AA

LED Floodlight 3x40W 100-240V stainless steel IP66/67



Products may differ in size, colour and appearance to those shown. If you require further information or customisation, please contact us directly.



| | |
|-------------------------------|--------------------------|
| WISKA-Order no. | 10110453 |
| Type | 5000-3x40W-MV-WB-FN-1AA |
| Material | Plastic, Stainless steel |
| Wattage | 120 W |
| Power[^] | 3 x 40 W |
| Voltage | 230 V |
| Voltage min. (V) | 100 V |
| Voltage max. (V) | 240 V |
| Type of Voltage | AC |
| Frequence | 50/60 Hz |
| Protection class | IP66 / IP67 |
| Temp. range min | -30 °C |
| Temp. range max | 55 °C |
| Operational areas | Indoor / Outdoor |
| Mounting | Upside, Ceiling, Wall |
| Reflector | Wide beam |
| Lightsource | LED |
| Lightsource incl. | Yes |
| Luminous flux | 12000 lm |
| Colour temperature | 5600 K |
| Colour rendering index | ≥ 80 |
| Rated Lifetime | L70/B10 @Ta +45 °C |
| System Lifetime | 120000 h |
| Type of cable gland | ESKV 25 / 9-17mm |
| Material cable gland | Polyamide |

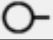
Your Contact:

WISKA UK Ltd.

Unit 7, Hurling Way · St. Columb Major Business Park · TR9 6SX, St. Columb Major, Cornwall · Great Britain

☎ +44-12-08816062 · 📠 +44-12-08816708

info@wiska.co.uk · www.wiska.co.uk

| | |
|----------------------------------|---|
| Using for cable gland |  |
| Ø cable diameter min | 9 mm |
| Ø cable diameter max | 17 mm |
| External dimensions LxWxH | 437x387x148mm |
| Weight | 12,44 kg |
| Tariff number | 94054990 |

Remarks:



wide beam,
 seawater resistant module housing
 made of special heat conducting plastic,
 stainless steel frame, back cover and
 mounting bracket,
 back cover white powder coated,
 connection box COMBI 407,
 1 cable gland ESKV25
 for cable 9-17mm in diameter
 2x3-pole terminal max. 4mm²

21.05.2024

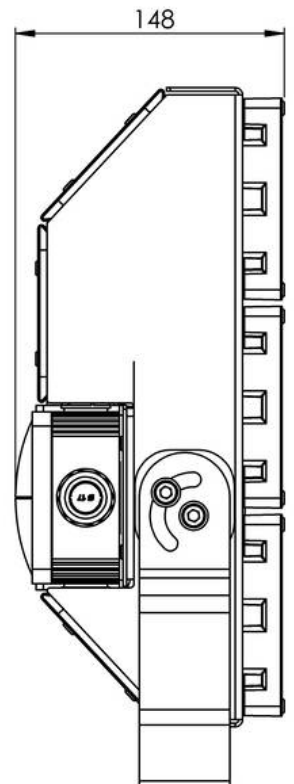
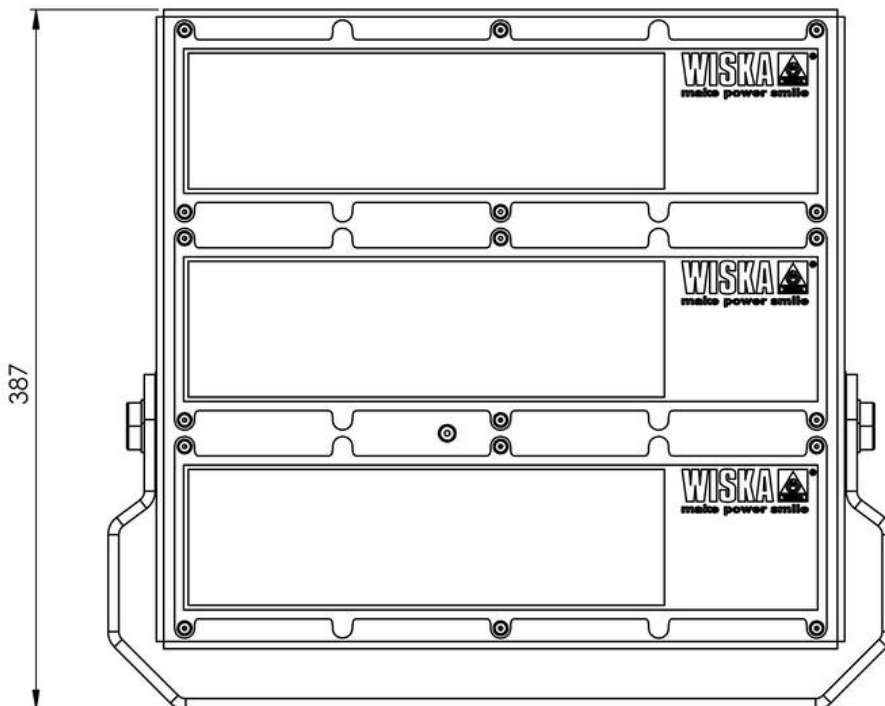
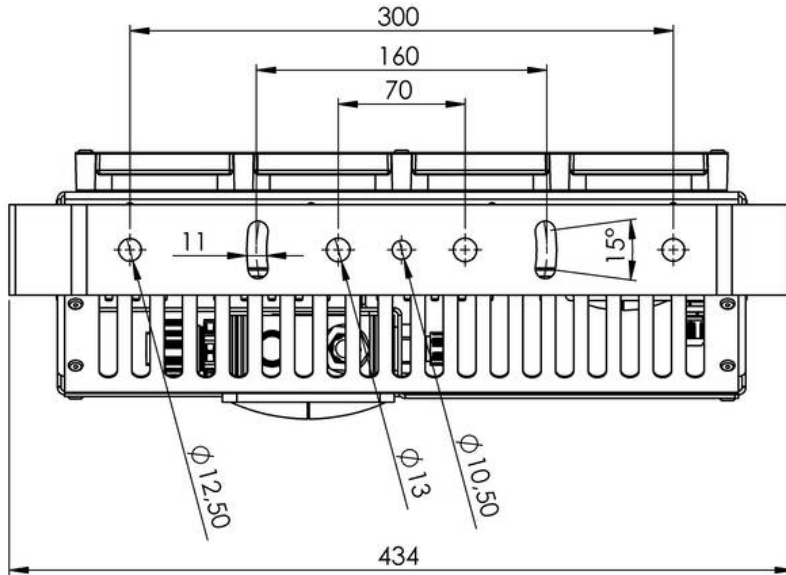
Your Contact:

WISKA UK Ltd.

Unit 7, Hurling Way · St. Columb Major Business Park · TR9 6SX, St. Columb Major, Cornwall · Great Britain

 +44-12-08816062 ·  +44-12-08816708

info@wiska.co.uk · www.wiska.co.uk



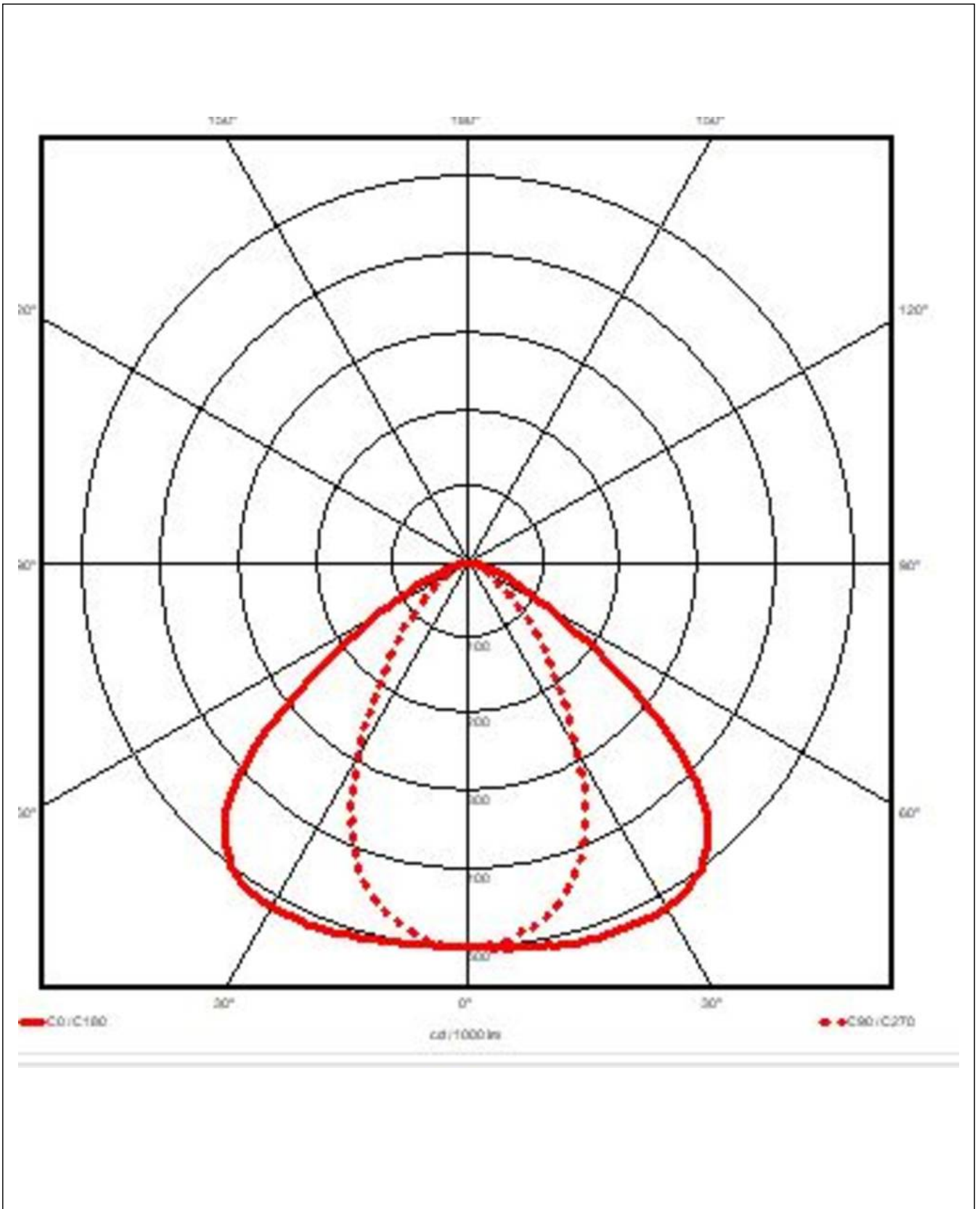
Your Contact:

WISKA UK Ltd.

Unit 7, Hurling Way · St. Columb Major Business Park · TR9 6SX, St. Columb Major, Cornwall · Great Britain

☎ +44-12-08816062 · 📠 +44-12-08816708

info@wiska.co.uk · www.wiska.co.uk



Your Contact:

WISKA UK Ltd.

Unit 7, Hurling Way · St. Columb Major Business Park · TR9 6SX, St. Columb Major, Cornwall · Great Britain

☎ +44-12-08816062 · 📠 +44-12-08816708

info@wiska.co.uk · www.wiska.co.uk