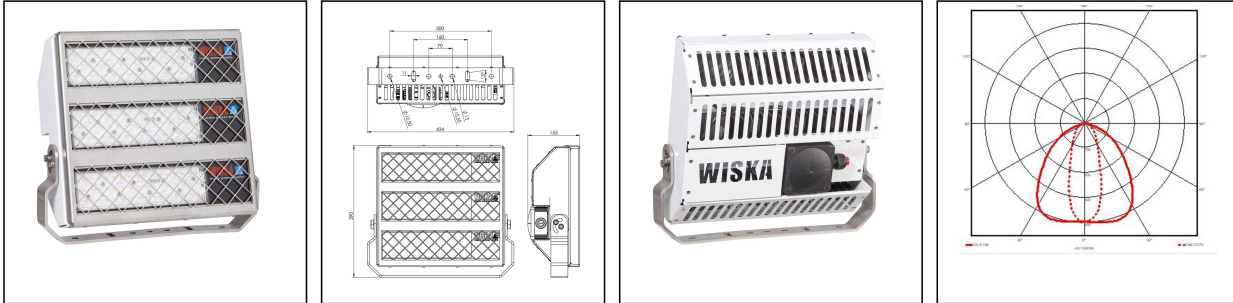


5000-3x40W-MV-MB-FN-1AA-G02

LED Floodlight 3x40W 100-240V stainless steel IP66/67



Products may differ in size, colour and appearance to those shown. If you require further information or customisation, please contact us directly.



WISKA-Order no.	10110457
Type	5000-3x40W-MV-MB-FN-1AA-G02
Material	Plastic, Stainless steel
Wattage	120 W
Power[^]	3 x 40 W
Voltage	230 V
Voltage min. (V)	100 V
Voltage max. (V)	240 V
Type of Voltage	AC
Frequence	50/60 Hz
Protection class	IP66 / IP67
Temp. range min	-30 °C
Temp. range max	55 °C
Operational areas	Indoor / Outdoor
Mounting	Wall, Upside, Ceiling
Reflector	Medium beam
Lightsource	LED
Lightsource incl.	Yes
Luminous flux	12000 lm
Colour temperature	5600 K
Colour rendering index	≥ 80
Rated Lifetime	L70/B10 @Ta +45 °C
System Lifetime	120000 h
Type of cable gland	ESKV 25 / 9-17mm
Material cable gland	Polyamide

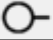
Your Contact:

WISKA UK Ltd.

Unit 7, Hurling Way · St. Columb Major Business Park · TR9 6SX, St. Columb Major, Cornwall · Great Britain

☎ +44-12-08816062 · 📠 +44-12-08816708

info@wiska.co.uk · www.wiska.co.uk

Using for cable gland	
Ø cable diameter min	9 mm
Ø cable diameter max	17 mm
External dimensions LxWxH	434x390x153mm
Equipment	Guard
Weight	14 kg
Tariff number	94054990

Remarks:



medium beam,
 seawater resistant module housing
 made of special heat conducting plastic,
 stainless steel frame, back cover
 and mounting bracket,
 back cover white powder coated,
 connection box COMBI 407,
 1 cable gland ESKV25
 for cable 9-17mm in diameter
 2x3-pole terminal max. 4mm²
 mounted hit grid

21.05.2024

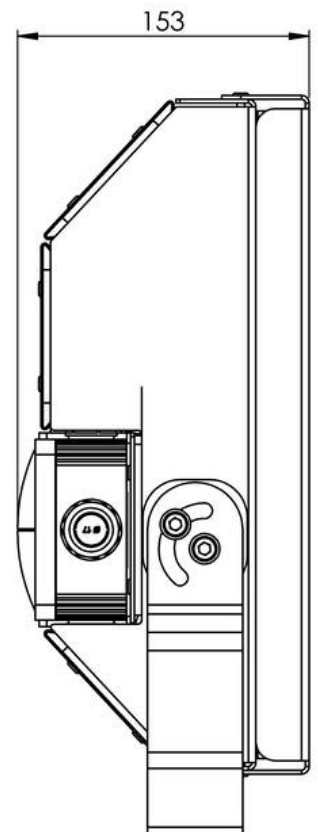
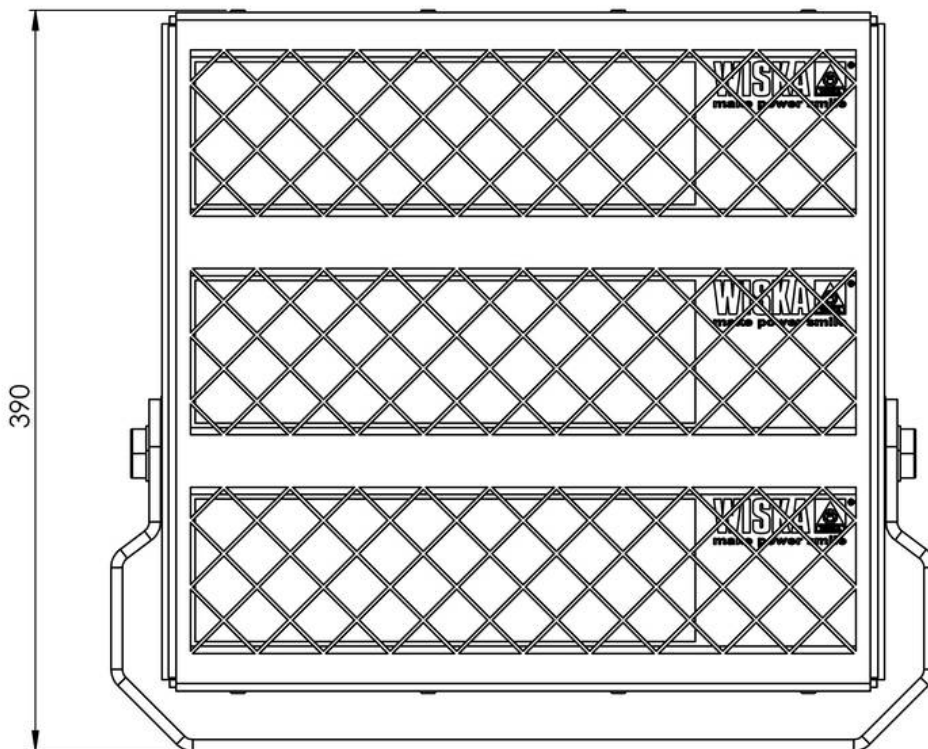
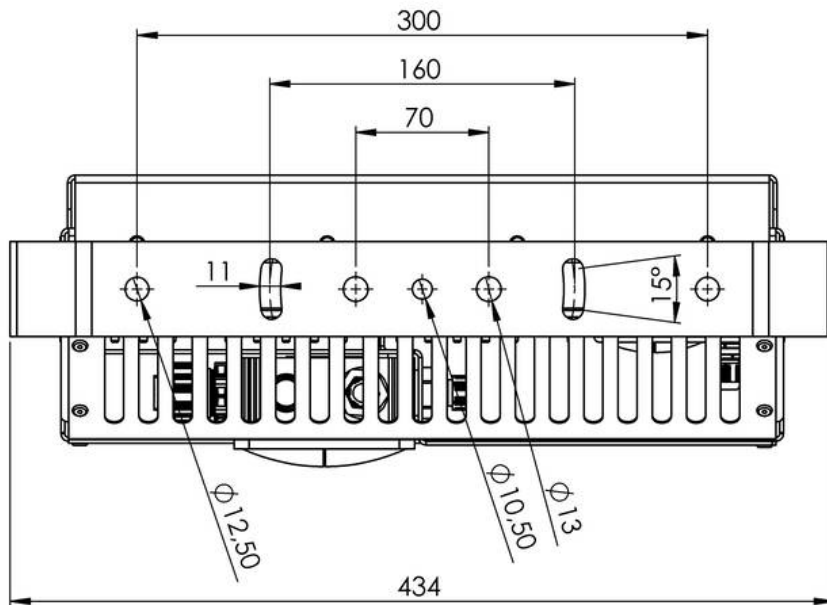
Your Contact:

WISKA UK Ltd.

Unit 7, Hurling Way · St. Columb Major Business Park · TR9 6SX, St. Columb Major, Cornwall · Great Britain

 +44-12-08816062 ·  +44-12-08816708

info@wiska.co.uk · www.wiska.co.uk



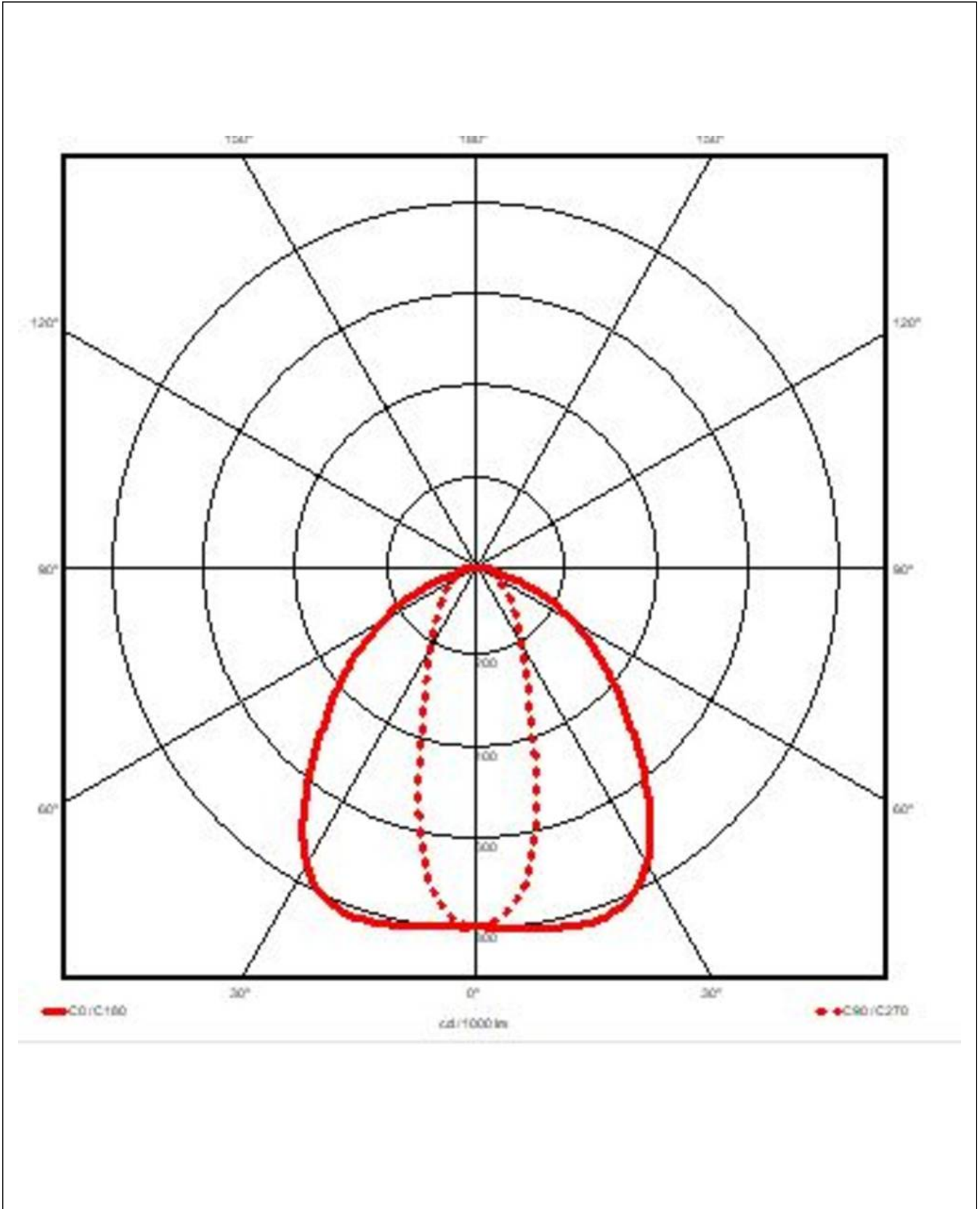
Your Contact:

WISKA UK Ltd.

Unit 7, Hurling Way · St. Columb Major Business Park · TR9 6SX, St. Columb Major, Cornwall · Great Britain

☎ +44-12-08816062 · 📠 +44-12-08816708

info@wiska.co.uk · www.wiska.co.uk



Your Contact:

WISKA UK Ltd.

Unit 7, Hurling Way · St. Columb Major Business Park · TR9 6SX, St. Columb Major, Cornwall · Great Britain

☎ +44-12-08816062 · 📠 +44-12-08816708

info@wiska.co.uk · www.wiska.co.uk