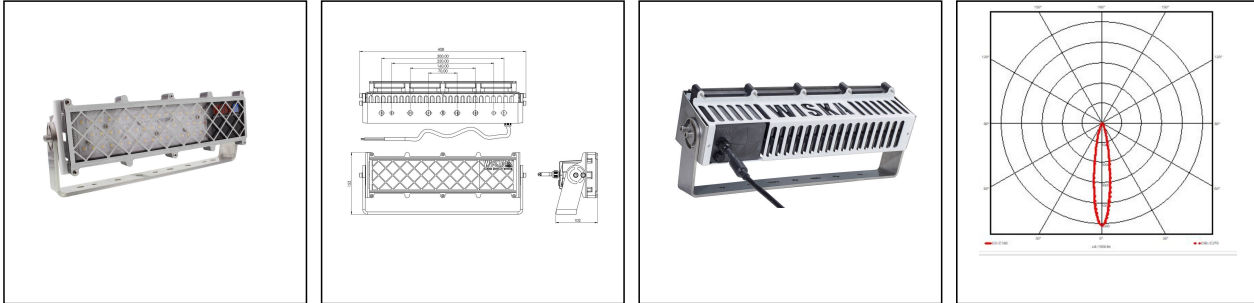



## 5000-1x40W-MV-NB-FN-1CC-G02

LED Floodlight 1x40W 100-240V stainless steel IP66/67



Products may differ in size, colour and appearance to those shown. If you require further information or customisation, please contact us directly.



<b>WISKA-Order no.</b>	10110607
<b>Type</b>	5000-1x40W-MV-NB-FN-1CC-G02
<b>Material</b>	Plastic, Stainless steel
<b>Wattage</b>	40 W
<b>Power<sup>^</sup></b>	1 x 40 W
<b>Voltage</b>	230 V
<b>Voltage min. (V)</b>	100 V
<b>Voltage max. (V)</b>	240 V
<b>Type of Voltage</b>	AC
<b>Frequence</b>	50/60 Hz
<b>Protection class</b>	IP66 / IP68
<b>Temp. range min</b>	-30 °C
<b>Temp. range max</b>	55 °C
<b>Operational areas</b>	Indoor / Outdoor
<b>Mounting</b>	Ceiling, Upside, Wall
<b>Reflector</b>	Narrow beam
<b>Lightsource</b>	LED
<b>Lightsource incl.</b>	Yes
<b>Luminous flux</b>	4000 lm
<b>Colour temperature</b>	5600 K
<b>Colour rendering index</b>	≥ 80
<b>Rated Lifetime</b>	L70/B10 @Ta +45 °C
<b>System Lifetime</b>	120000 h
<b>Using for cable gland</b>	
<b>External dimensions LxWxH</b>	408x152x102mm

Your Contact:

**WISKA UK Ltd.**

Unit 7, Hurling Way · St. Columb Major Business Park · TR9 6SX, St. Columb Major, Cornwall · Great Britain

☎ +44-12-08816062 · 📠 +44-12-08816708

info@wiska.co.uk · www.wiska.co.uk

<b>Equipment</b>	Guard
<b>Weight</b>	5 kg
<b>Tariff number</b>	94054990

Remarks:

narrow beam,  
seawater resistant module housing  
made of special heat conducting plastic,  
stainless steel frame, back cover and mounting bracket,  
back cover white powder coated,  
1,5m connection cable 3x0,75mm<sup>2</sup> outer Ø 6,8mm  
mounted hit grid

20.05.2024

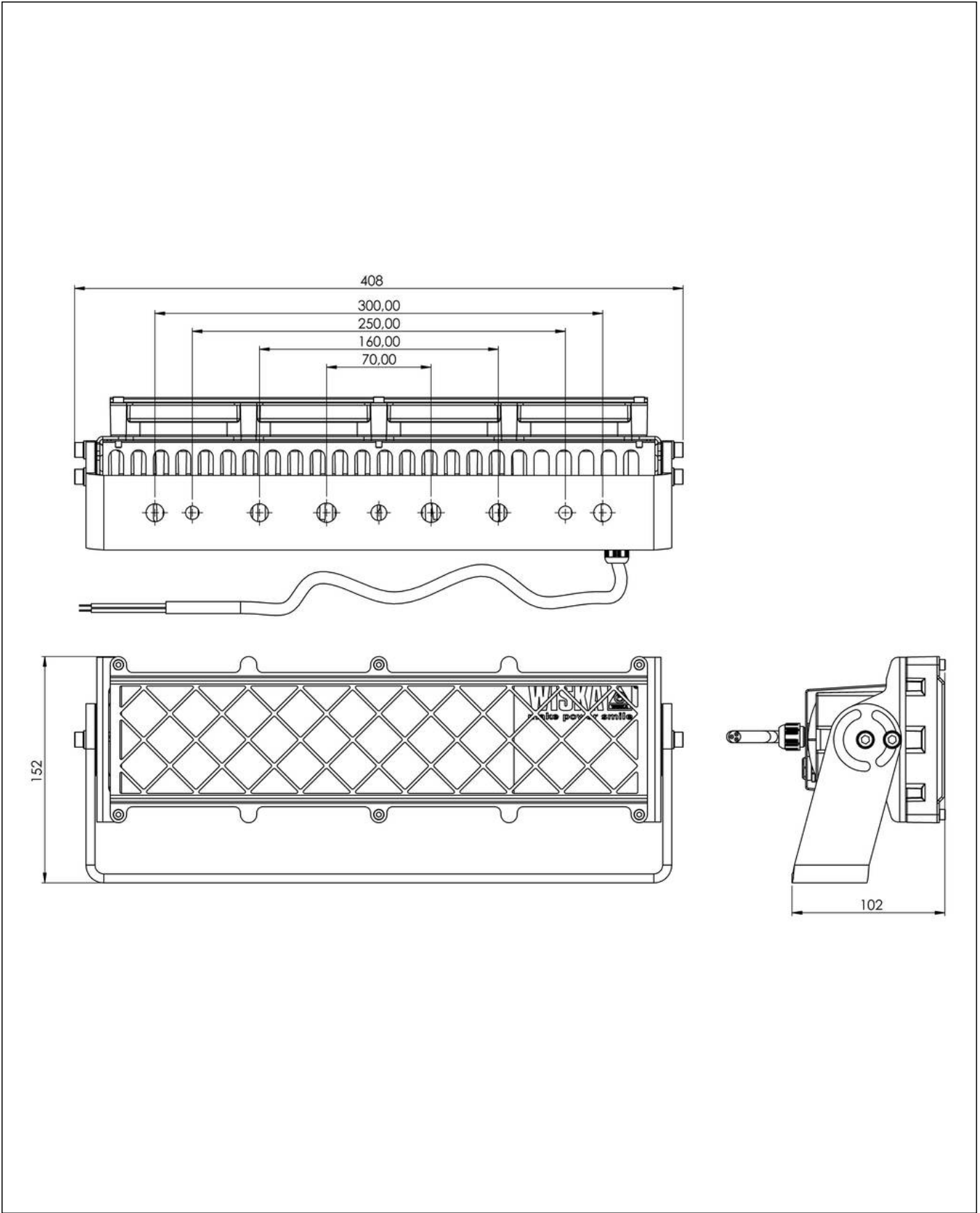
Your Contact:

**WISKA UK Ltd.**

Unit 7, Hurling Way · St. Columb Major Business Park · TR9 6SX, St. Columb Major, Cornwall · Great Britain

☎ +44-12-08816062 · 📠 +44-12-08816708

info@wiska.co.uk · www.wiska.co.uk



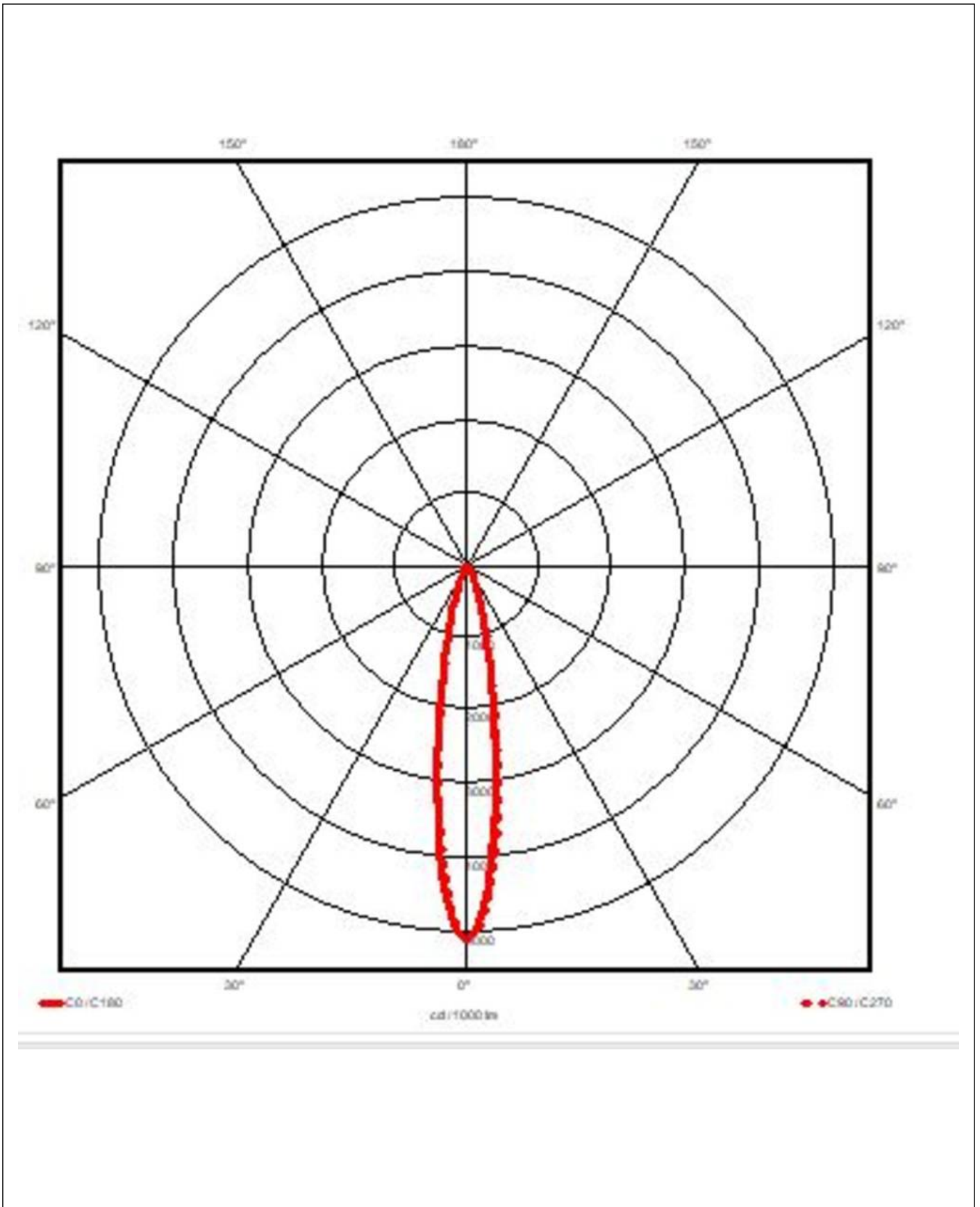
Your Contact:

**WISKA UK Ltd.**

Unit 7, Hurling Way · St. Columb Major Business Park · TR9 6SX, St. Columb Major, Cornwall · Great Britain

☎ +44-12-08816062 · 📠 +44-12-08816708

info@wiska.co.uk · www.wiska.co.uk



Your Contact:

**WISKA UK Ltd.**

Unit 7, Hurling Way · St. Columb Major Business Park · TR9 6SX, St. Columb Major, Cornwall · Great Britain

☎ +44-12-08816062 · 📠 +44-12-08816708

info@wiska.co.uk · www.wiska.co.uk