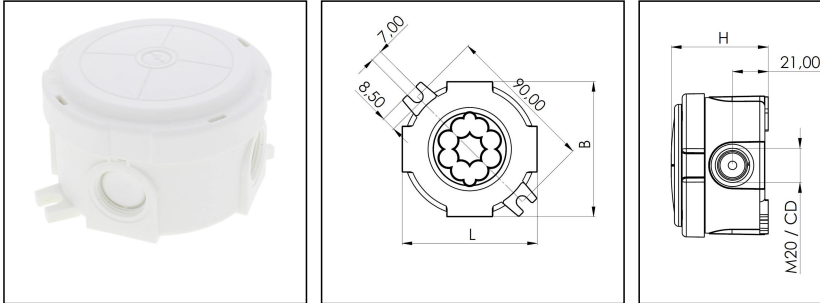


## COMBI 304 WH



Products may differ in size, colour and appearance to those shown. If you require further information or customisation, please contact us directly.



|                                     |                          |
|-------------------------------------|--------------------------|
| <b>Material</b>                     | Polypropylene            |
| <b>Material sealing gasket</b>      | TPE                      |
| <b>Temp. range min</b>              | -30 °C                   |
| <b>Temp. range max</b>              | 100 °C                   |
| <b>Temperatures during install.</b> | -5 °C - 60 °C            |
| <b>Protection class</b>             | IP66 / IP67              |
| <b>Glow wire test</b>               | 750 °C                   |
| <b>Voltage</b>                      | 400 V                    |
| <b>Rated cross section</b>          | 2,5 mm <sup>2</sup>      |
| <b>Fixing</b>                       | 2 external mounting feet |
| <b>Ø cable diameter min</b>         | 3 mm                     |
| <b>Ø cable diameter max</b>         | 12 mm                    |
| <b>External dimensions LxWxH</b>    | Ø 82 x 57mm              |
| <b>Type of cable gland</b>          | M 20 x 1,5               |
| <b>Product Color</b>                | RAL 9001                 |
| <b>WISKA-Order no.</b>              | 10110631                 |
| <b>Type</b>                         | COMBI 304 WH             |
| <b>Packing unit</b>                 | 5                        |
| <b>EAN number</b>                   | 4007686257786            |
| <b>Tariff number</b>                | 39269097                 |
| <b>ETIM-Classification</b>          | EC002600                 |

Remarks:

IP66: using the membrane entry

IP67: using the threaded entry together with ESKV cable gland

Your Contact:

**WISKA UK Ltd.**

Unit 7, Hurling Way · St. Columb Major Business Park · TR9 6SX, St. Columb Major, Cornwall · Great Britain

☎ +44-12-08816062 · 📠 +44-12-08816708

info@wiska.co.uk · www.wiska.co.uk

**Equipment:**

- 4 M20 threaded membrane entries

**Recommended accessories**

|                           |          |
|---------------------------|----------|
| SP-KT-W 221/CSM-3x221-413 | 22001114 |
| SP-KT-W 221/CSM           | 22001115 |

19.05.2024

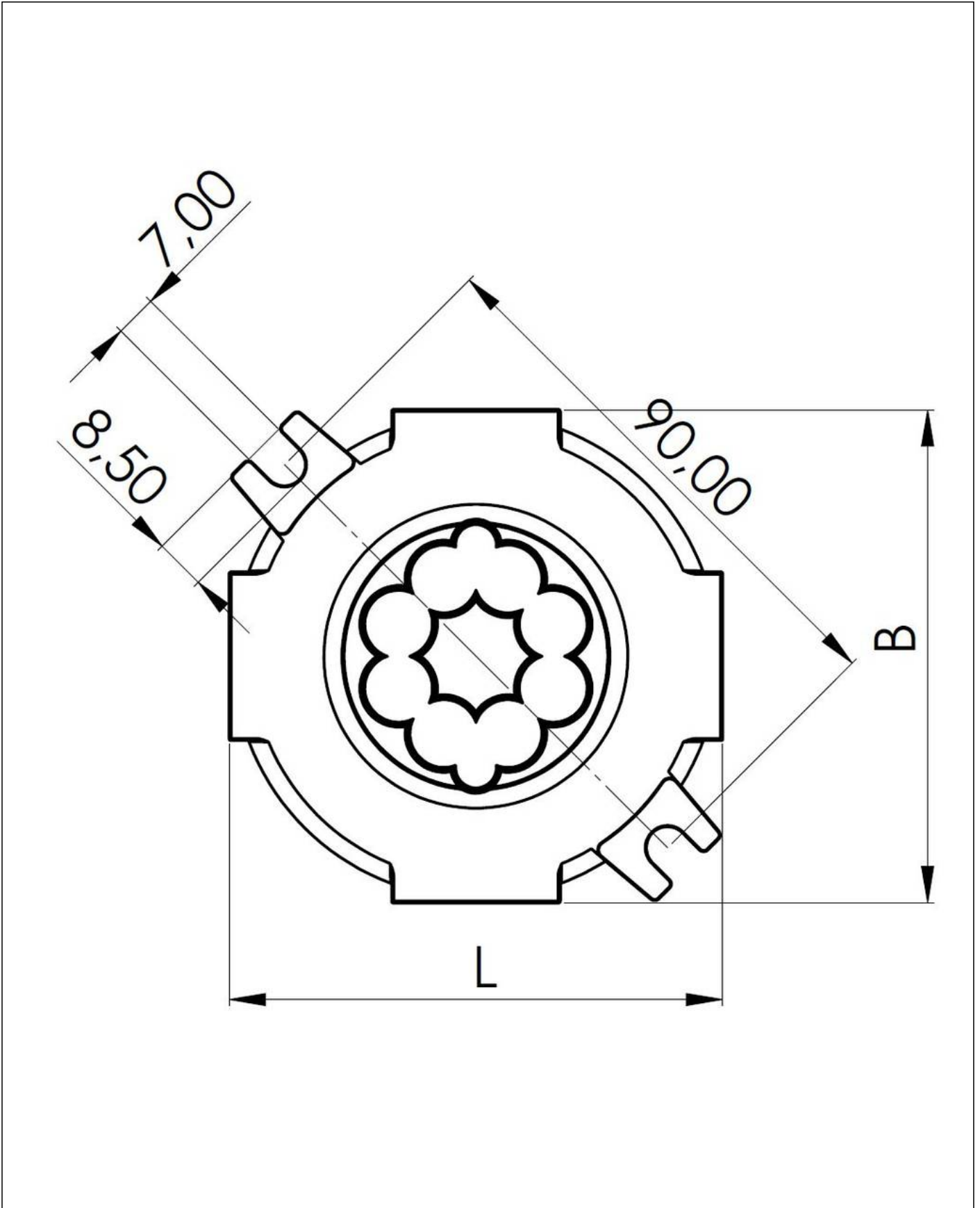
**Your Contact:**

**WISKA UK Ltd.**

Unit 7, Hurling Way · St. Columb Major Business Park · TR9 6SX, St. Columb Major, Cornwall · Great Britain

☎ +44-12-08816062 · 📠 +44-12-08816708

info@wiska.co.uk · www.wiska.co.uk



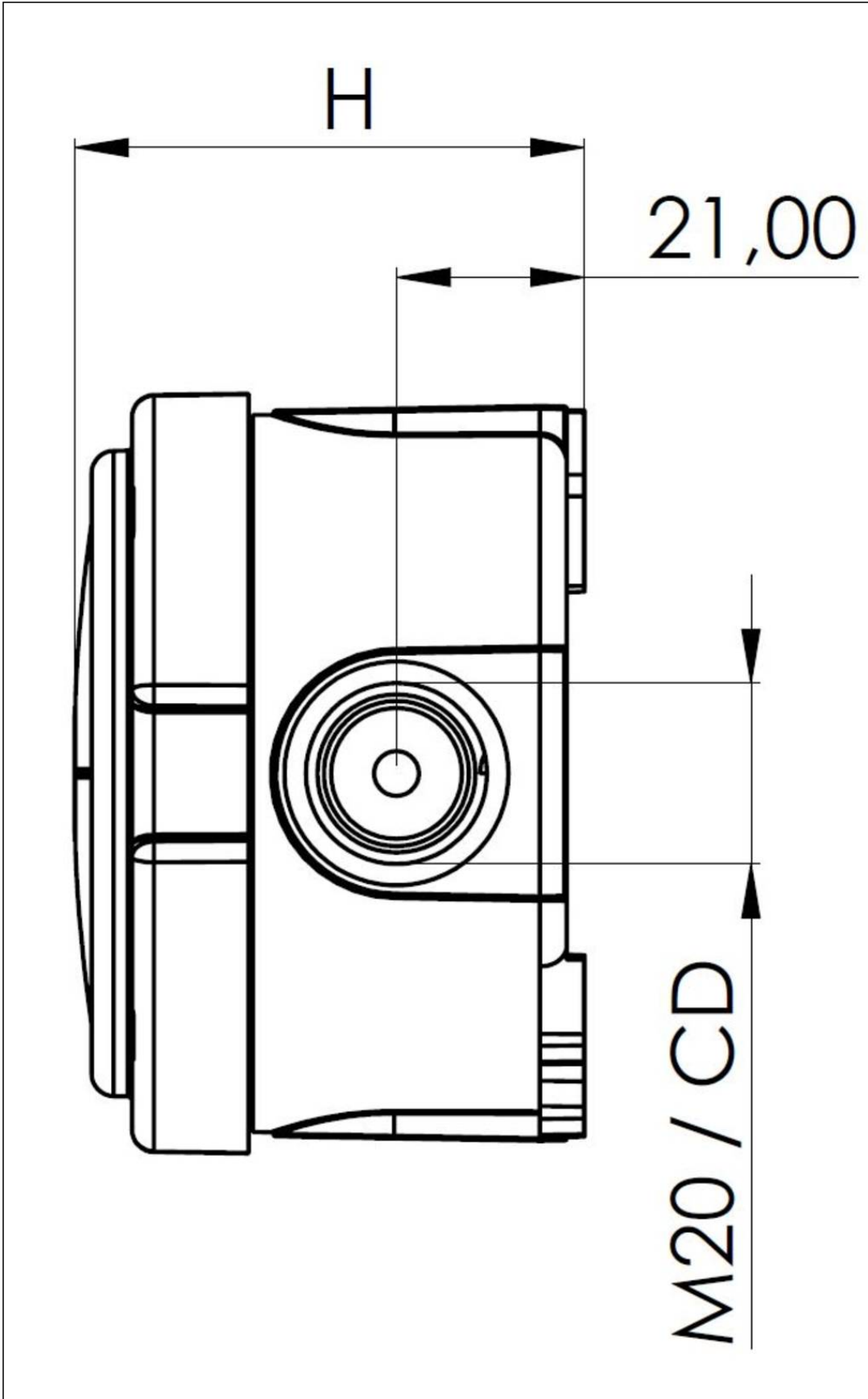
Your Contact:

**WISKA UK Ltd.**

Unit 7, Hurling Way · St. Columb Major Business Park · TR9 6SX, St. Columb Major, Cornwall · Great Britain

☎ +44-12-08816062 · 📠 +44-12-08816708

info@wiska.co.uk · www.wiska.co.uk



Your Contact:

**WISKA UK Ltd.**

Unit 7, Hurling Way · St. Columb Major Business Park · TR9 6SX, St. Columb Major, Cornwall · Great Britain

☎ +44-12-08816062 · 📠 +44-12-08816708

info@wiska.co.uk · www.wiska.co.uk