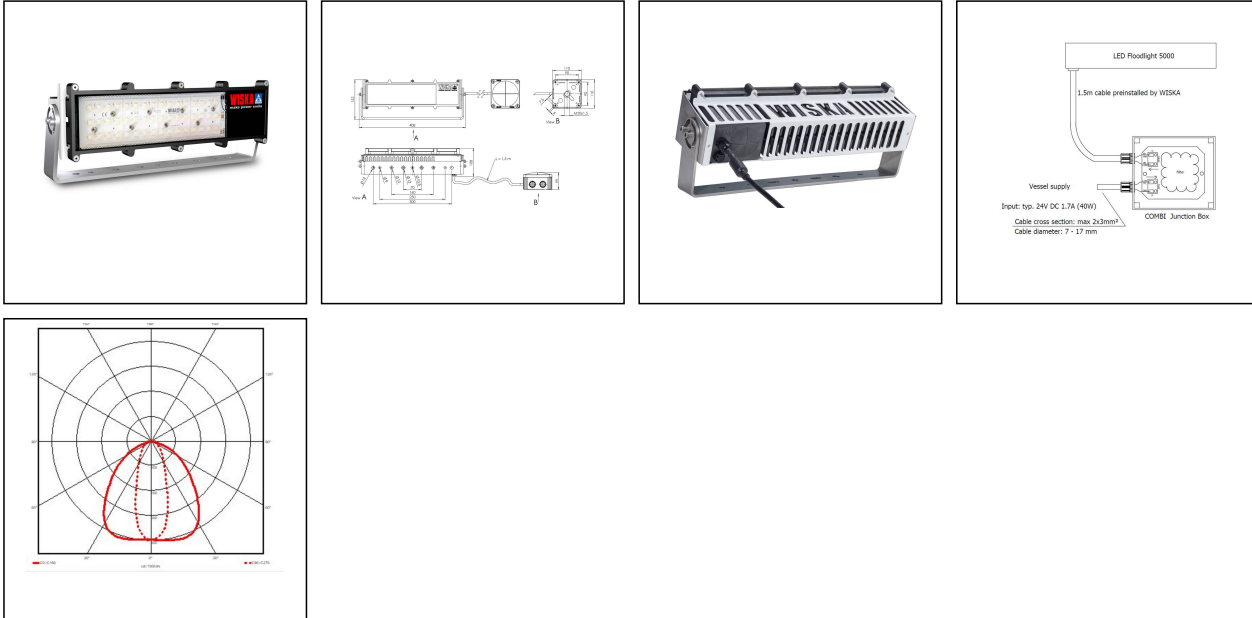


## 5000-1x40W-24-MB-FN-1CC

LED Floodlight 1x40W 18-32VDC stainless steel IP66/67



Products may differ in size, colour and appearance to those shown. If you require further information or customisation, please contact us directly.



<b>WISKA-Order no.</b>	10110949
<b>Type</b>	5000-1x40W-24-MB-FN-1CC
<b>Material</b>	Stainless steel, Plastic
<b>Wattage</b>	40 W
<b>Power<sup>^</sup></b>	1 x 40 W
<b>Voltage</b>	24 V
<b>Voltage min. (V)</b>	18 V
<b>Voltage max. (V)</b>	32 V
<b>Type of Voltage</b>	DC
<b>Protection class</b>	IP66 / IP67
<b>Temp. range min</b>	-30 °C
<b>Temp. range max</b>	55 °C
<b>Operational areas</b>	Indoor / Outdoor
<b>Mounting</b>	Wall, Ceiling, Upside
<b>Reflector</b>	Medium beam
<b>Lightsource</b>	LED
<b>Lightsource incl.</b>	Yes
<b>Luminous flux</b>	4000 lm

Your Contact:

**WISKA UK Ltd.**

Unit 7, Hurling Way · St. Columb Major Business Park · TR9 6SX, St. Columb Major, Cornwall · Great Britain

☎ +44-12-08816062 · 📠 +44-12-08816708

info@wiska.co.uk · www.wiska.co.uk

<b>Colour temperature</b>	5600 K
<b>Colour rendering index</b>	≥ 80
<b>Rated Lifetime</b>	L70/B10 @Ta +45 °C
<b>System Lifetime</b>	110000 h
<b>Using for cable gland</b>	
<b>External dimensions LxWxH</b>	408x152x108mm
<b>Weight</b>	4,9 kg
<b>Tariff number</b>	94054990

Remarks:

medium beam  
seawater resistant module housing  
made of special heat conducting plastic,  
stainless steel frame, back cover and mounting bracket,  
back cover white powder coated,  
including EMC filter in COMBI 607



The electrical connection must be made according to E-Plan.

20.05.2024

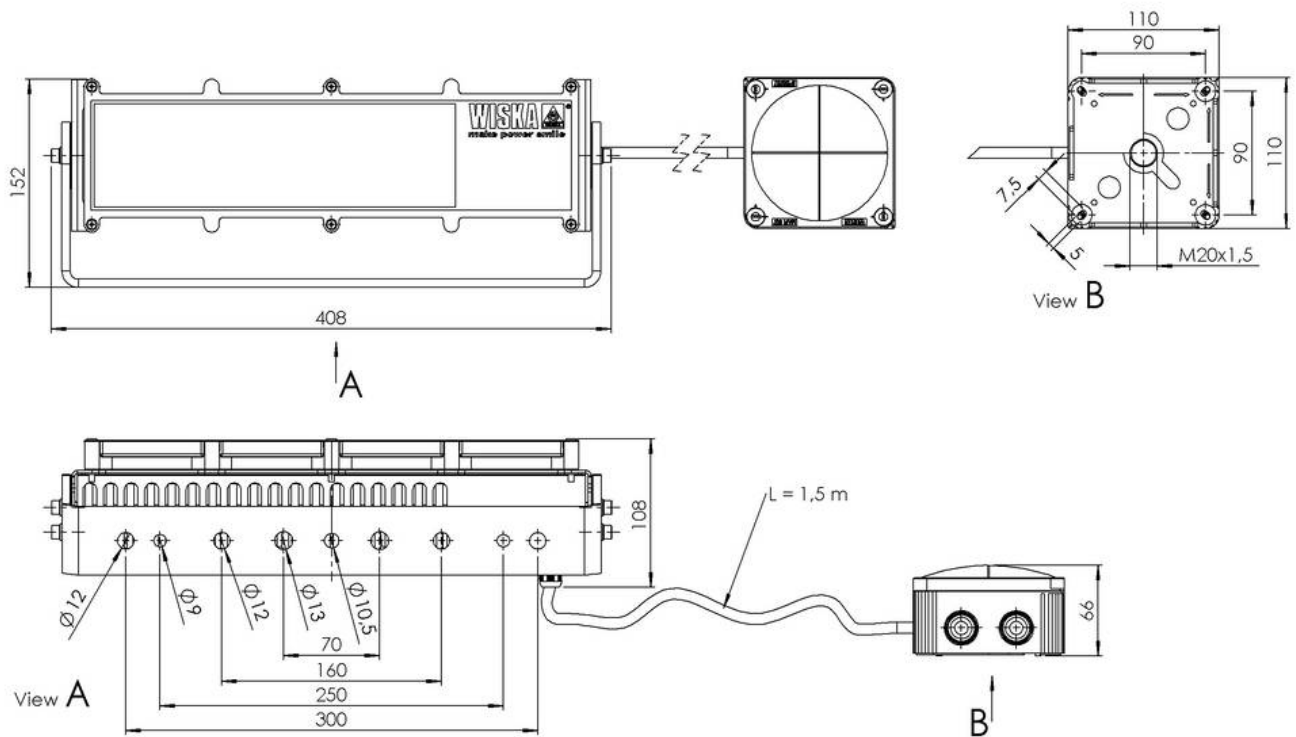
Your Contact:

**WISKA UK Ltd.**

Unit 7, Hurling Way · St. Columb Major Business Park · TR9 6SX, St. Columb Major, Cornwall · Great Britain

 +44-12-08816062 ·  +44-12-08816708

info@wiska.co.uk · www.wiska.co.uk



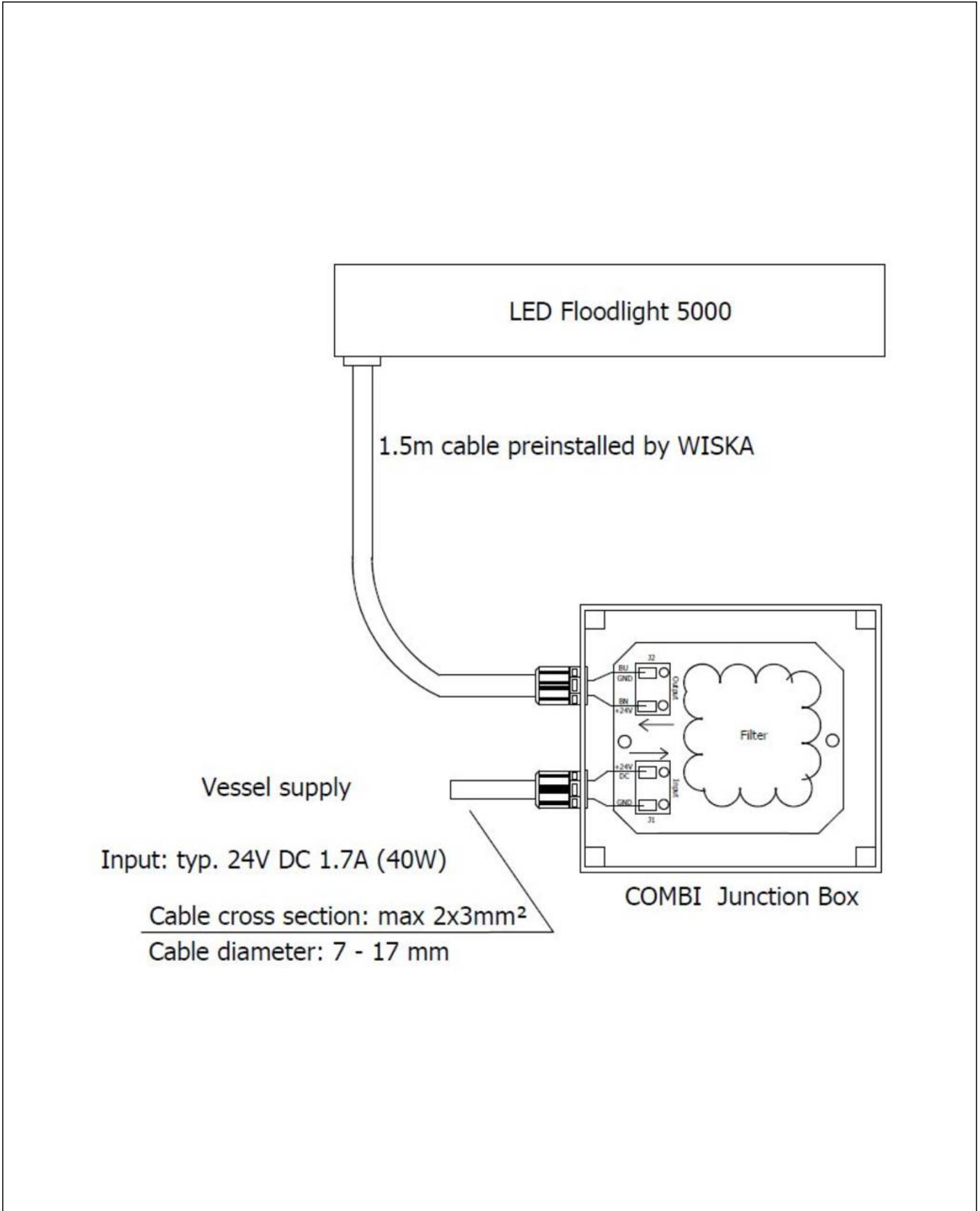
Your Contact:

**WISKA UK Ltd.**

Unit 7, Hurling Way · St. Columb Major Business Park · TR9 6SX, St. Columb Major, Cornwall · Great Britain

☎ +44-12-08816062 · 📠 +44-12-08816708

info@wiska.co.uk · www.wiska.co.uk



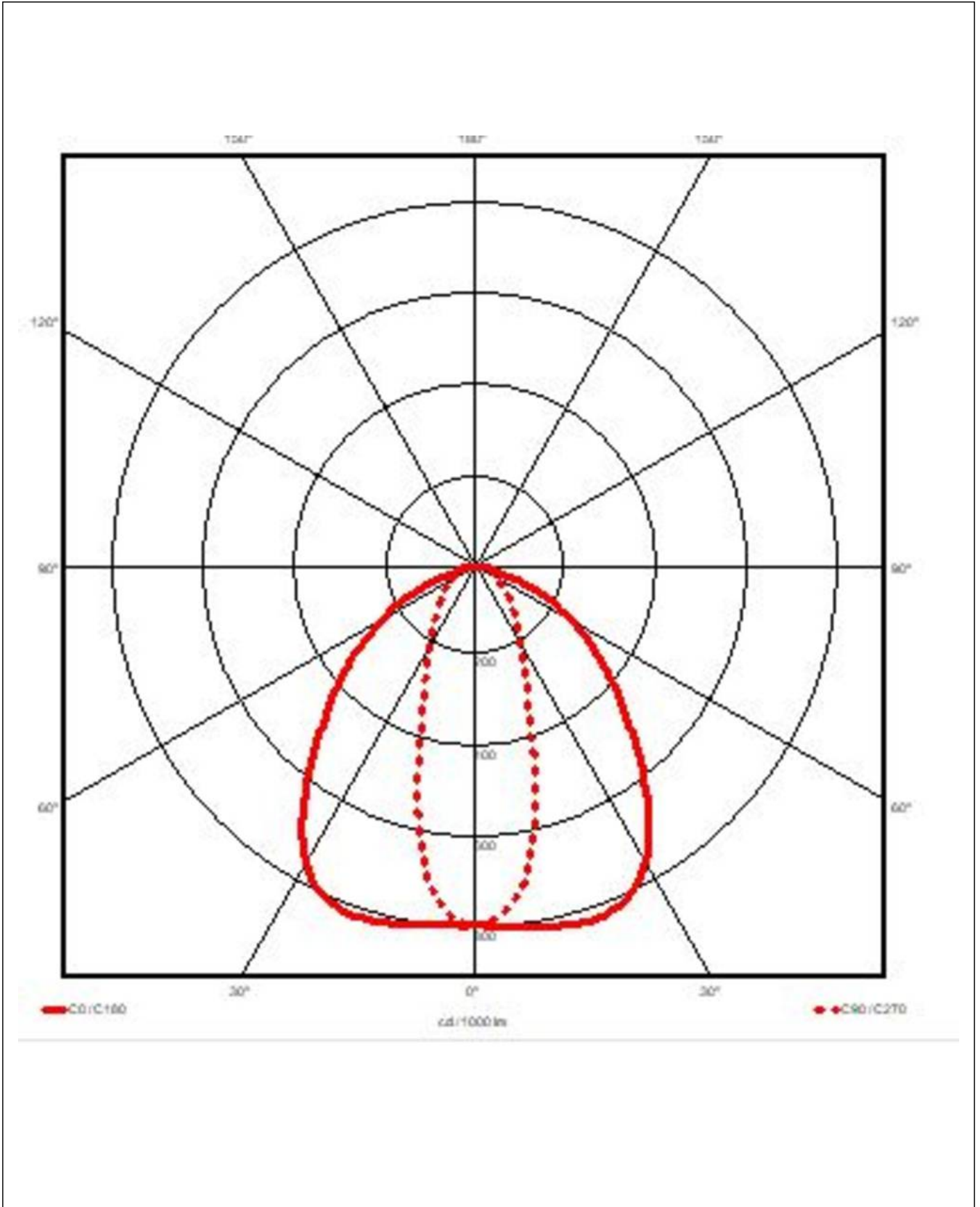
Your Contact:

**WISKA UK Ltd.**

Unit 7, Hurling Way · St. Columb Major Business Park · TR9 6SX, St. Columb Major, Cornwall · Great Britain

☎ +44-12-08816062 · 📠 +44-12-08816708

info@wiska.co.uk · www.wiska.co.uk



Your Contact:

**WISKA UK Ltd.**

Unit 7, Hurling Way · St. Columb Major Business Park · TR9 6SX, St. Columb Major, Cornwall · Great Britain

☎ +44-12-08816062 · 📠 +44-12-08816708

info@wiska.co.uk · www.wiska.co.uk

Other technical data on request / subject to change without notice