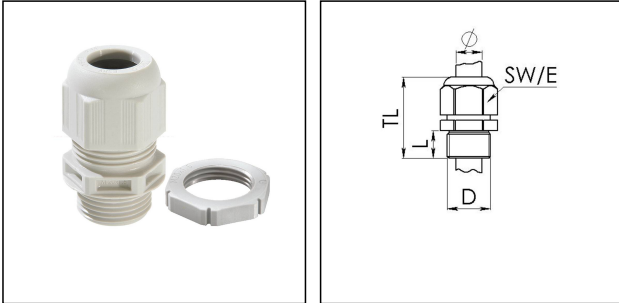


GLP32+ grey



Products may differ in size, colour and appearance to those shown. If you require further information or customisation, please contact us directly.



| | |
|--------------------------------------|---------------------------|
| Material cable gland | Polyamide |
| Material sealing gasket | EPDM |
| Protection class | IP69, IP68 (5 bar 30 min) |
| Temp. range min | -40 °C |
| Temp. range max | 100 °C |
| Glow wire test | 750 °C |
| Thread type | M |
| Ø Connection thread D | 32 |
| Lead | 1,5 |
| Length screw-in thread L | 12 mm |
| Ø cable diameter min | 18 mm |
| Ø cable diameter max | 25 mm |
| Key width SW | 36 mm |
| Collar diameter (E) | 40 mm |
| Total length TL | 42 mm - 51 mm |
| Type of cable anchorage | A |
| Install. torques fitting | 15 N/m |
| Install. torques fitting/EADR | 4 N/m |
| Install. torques cap nut | 4 N/m |
| Impact category | 4 |
| Product Color | RAL 7035 |
| Order no. UK | 10111080 |
| Type | GLP32+ grey |
| Packing unit | 10 |
| ETIM-Classification | EC000441 |

Your Contact:

WISKA UK Ltd.

Unit 7, Hurling Way · St. Columb Major Business Park · TR9 6SX, St. Columb Major, Cornwall · Great Britain

☎ +44-12-08816062 · 📠 +44-12-08816708



info@wiska.co.uk · www.wiska.co.uk

21.06.2021

Your Contact:

WISKA UK Ltd.

Unit 7, Hurling Way · St. Columb Major Business Park · TR9 6SX, St. Columb Major, Cornwall · Great Britain

 +44-12-08816062 ·  +44-12-08816708

info@wiska.co.uk · www.wiska.co.uk



Your Contact:

WISKA UK Ltd.

Unit 7, Hurling Way · St. Columb Major Business Park · TR9 6SX, St. Columb Major, Cornwall · Great Britain

☎ +44-12-08816062 · 📠 +44-12-08816708

info@wiska.co.uk · www.wiska.co.uk