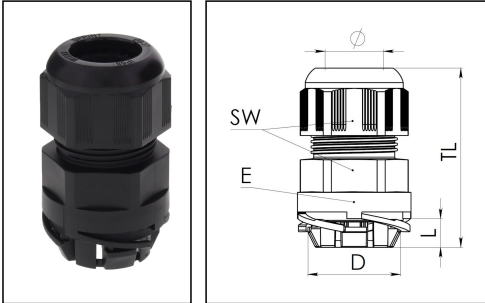


## ESKV-P 32 BK



Products may differ in size, colour and appearance to those shown. If you require further information or customisation, please contact us directly.



|                                 |                               |
|---------------------------------|-------------------------------|
| <b>Material</b>                 | Polyamide                     |
| <b>Material sealing gasket</b>  | on cable EPDM, on housing TPE |
| <b>Protection class</b>         | IP68 (5 bar 30 min), IP69     |
| <b>Temp. range min</b>          | -40 °C                        |
| <b>Temp. range max</b>          | 100 °C                        |
| <b>Glow wire test</b>           | 750 °C                        |
| <b>Ø Connection thread D</b>    | 32                            |
| <b>Length screw-in thread L</b> | 6 mm                          |
| <b>Ø cable diameter min</b>     | 13 mm                         |
| <b>Ø cable diameter max</b>     | 21 mm                         |
| <b>Key width SW</b>             | 36 mm                         |
| <b>Collar diameter (E)</b>      | 43 mm                         |
| <b>Total length TL</b>          | 44 mm - 58 mm                 |
| <b>Ø Drilling</b>               | 32 mm - 32,2 mm               |
| <b>Wall thickness S</b>         | 0,5 mm - 4 mm                 |
| <b>Type</b>                     | ESKV-P 32 BK                  |
| <b>Product Color</b>            | RAL 9005                      |
| <b>Order no. RAL 9005</b>       | 10112634                      |
| <b>Packing unit</b>             | 10                            |
| <b>Tariff number</b>            | 39269097                      |
| <b>ETIM-Classification</b>      | EC000451                      |

### Recommended accessories

Your Contact:

**WISKA UK Ltd.**

Unit 7, Hurling Way · St. Columb Major Business Park · TR9 6SX, St. Columb Major, Cornwall · Great Britain

☎ +44-12-08816062 · 📠 +44-12-08816708

info@wiska.co.uk · www.wiska.co.uk

|                      |          |
|----------------------|----------|
| <b>RDE 32</b>        | 10062186 |
| <b>BS 21</b>         | 10064014 |
| <b>MFD 32/04/070</b> | 10064344 |
| <b>MFD 32/06/060</b> | 10064345 |
| <b>MFD 32/04/080</b> | 10064950 |
| <b>MFD 32/03/080</b> | 10101018 |
| <b>MFD 32/05/070</b> | 10101140 |
| <b>MFD 32/03/090</b> | 10102170 |

24.01.2025

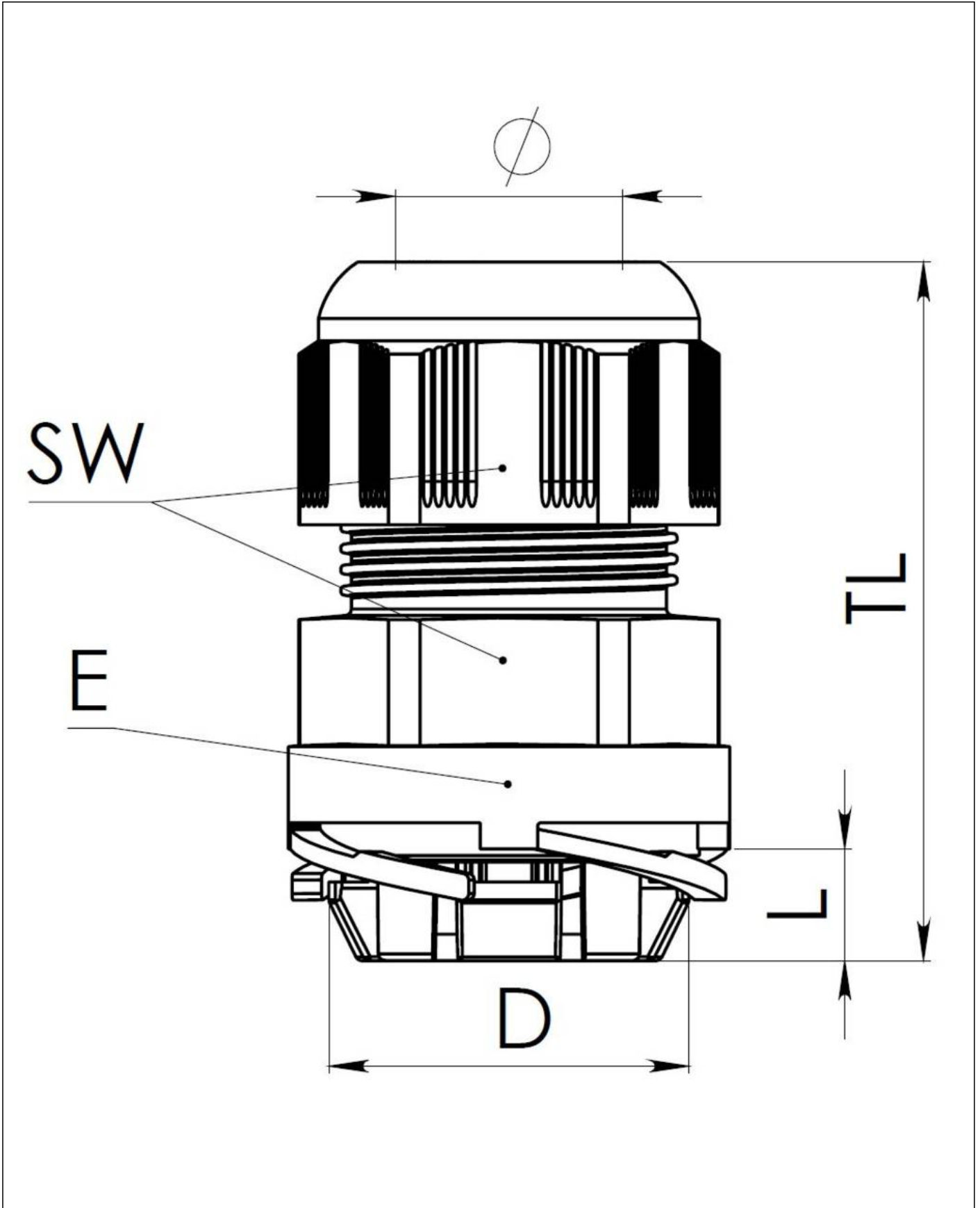
Your Contact:

**WISKA UK Ltd.**

Unit 7, Hurling Way · St. Columb Major Business Park · TR9 6SX, St. Columb Major, Cornwall · Great Britain

☎ +44-12-08816062 · 📠 +44-12-08816708

info@wiska.co.uk · www.wiska.co.uk



Your Contact:

**WISKA UK Ltd.**

Unit 7, Hurling Way · St. Columb Major Business Park · TR9 6SX, St. Columb Major, Cornwall · Great Britain

☎ +44-12-08816062 · 📠 +44-12-08816708

info@wiska.co.uk · www.wiska.co.uk