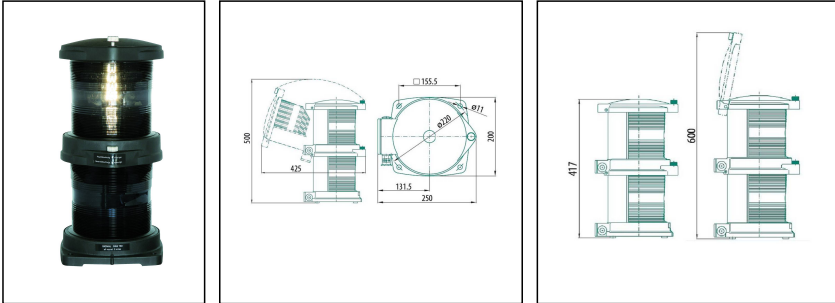



## DAS-760-WH-230/230-PB

Double signal light



Products may differ in size, colour and appearance to those shown. If you require further information or customisation, please contact us directly.





<b>WISKA-Order no.</b>	50100440
<b>Type</b>	DAS-760-WH-230/230-PB
<b>Material</b>	Polyamide, fibre reinforced
<b>Material globe/diffuser</b>	PMMA
<b>Globe colour</b>	white reduced
<b>Power<sup>^</sup></b>	2 x 65 W
<b>Voltage</b>	230 V
<b>Type of Voltage</b>	AC
<b>Frequence</b>	50/60 Hz
<b>Protection class</b>	IP56
<b>Operational areas</b>	Outdoor
<b>Temp. range min</b>	-30 °C
<b>Temp. range max</b>	55 °C
<b>Lampholder</b>	P28s
<b>Number of lampholder</b>	2 items
<b>Lightsource</b>	Incandescent lamp
<b>Lightsource incl.</b>	Yes
<b>Signal range</b>	3nm
<b>Model</b>	Double signal light
<b>Sector</b>	360°
<b>Using for cable gland</b>	
<b>Material cable gland</b>	Polyamide
<b>Ø cable diameter min</b>	6 mm
<b>Ø cable diameter max</b>	13 mm
<b>Mounting</b>	Upside

Your Contact:

**WISKA UK Ltd.**

Unit 7, Hurling Way · St. Columb Major Business Park · TR9 6SX, St. Columb Major, Cornwall · Great Britain

 +44-12-08816062 ·  +44-12-08816708

info@wiska.co.uk · www.wiska.co.uk

<b>Colour</b>	Black
<b>External dimensions LxWxH</b>	200x250x417mm
<b>Weight</b>	3,11 kg
<b>Approval</b>	MED, DNV-GL, BSH, UL
<b>Tariff number</b>	94054940

Remarks:

- Cable connection via cable connection box
- Equipped with 4 rubber pads

**Recommended accessories**

<b>Vibration dampers -PB</b>	50107255
------------------------------	----------

**Spare parts**

<b>SP-Rubber pads navigation light (4 pcs)</b>	22000909
<b>Bulb 65W 230V P28s -PB</b>	50100452
<b>Lampholder P28s - PB</b>	50101879
<b>Connection cover for lantern 760/780 -PB</b>	50106448
<b>Terminal block for lantern 760/780 -PB</b>	50106871
<b>Cover for lantern 760 cpl.</b>	50107565

20.05.2024

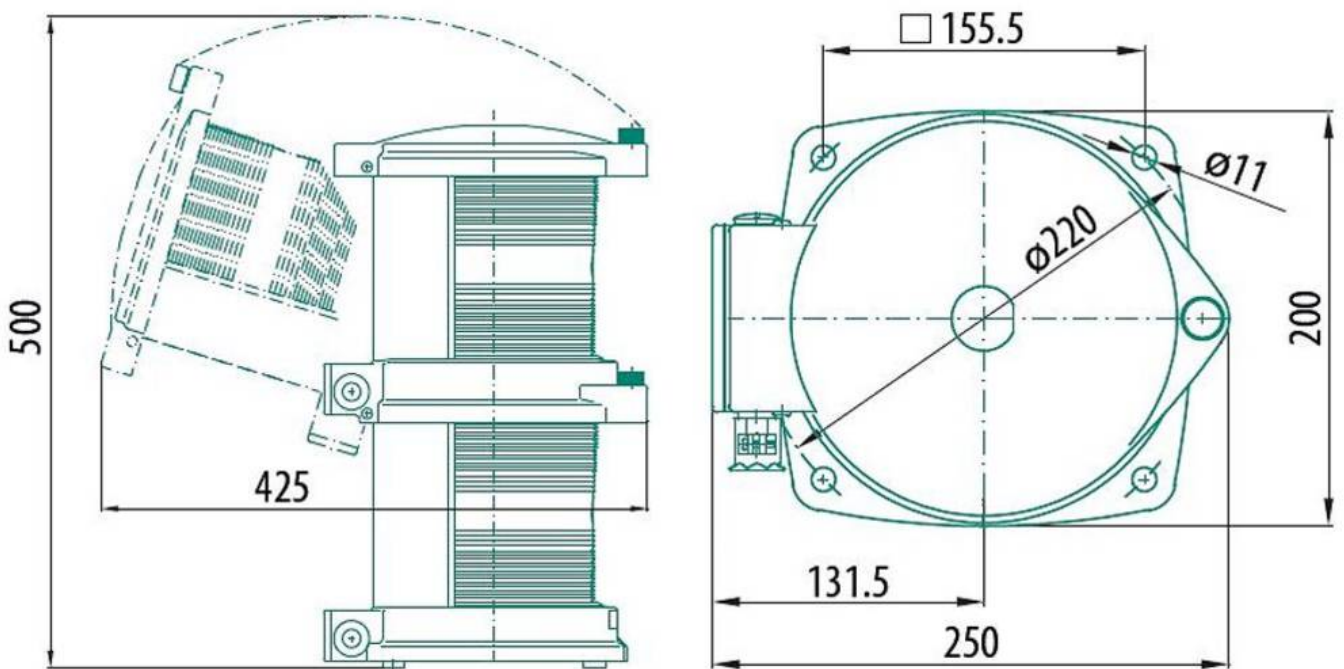
Your Contact:

**WISKA UK Ltd.**

Unit 7, Hurling Way · St. Columb Major Business Park · TR9 6SX, St. Columb Major, Cornwall · Great Britain

☎ +44-12-08816062 · 📠 +44-12-08816708

info@wiska.co.uk · www.wiska.co.uk



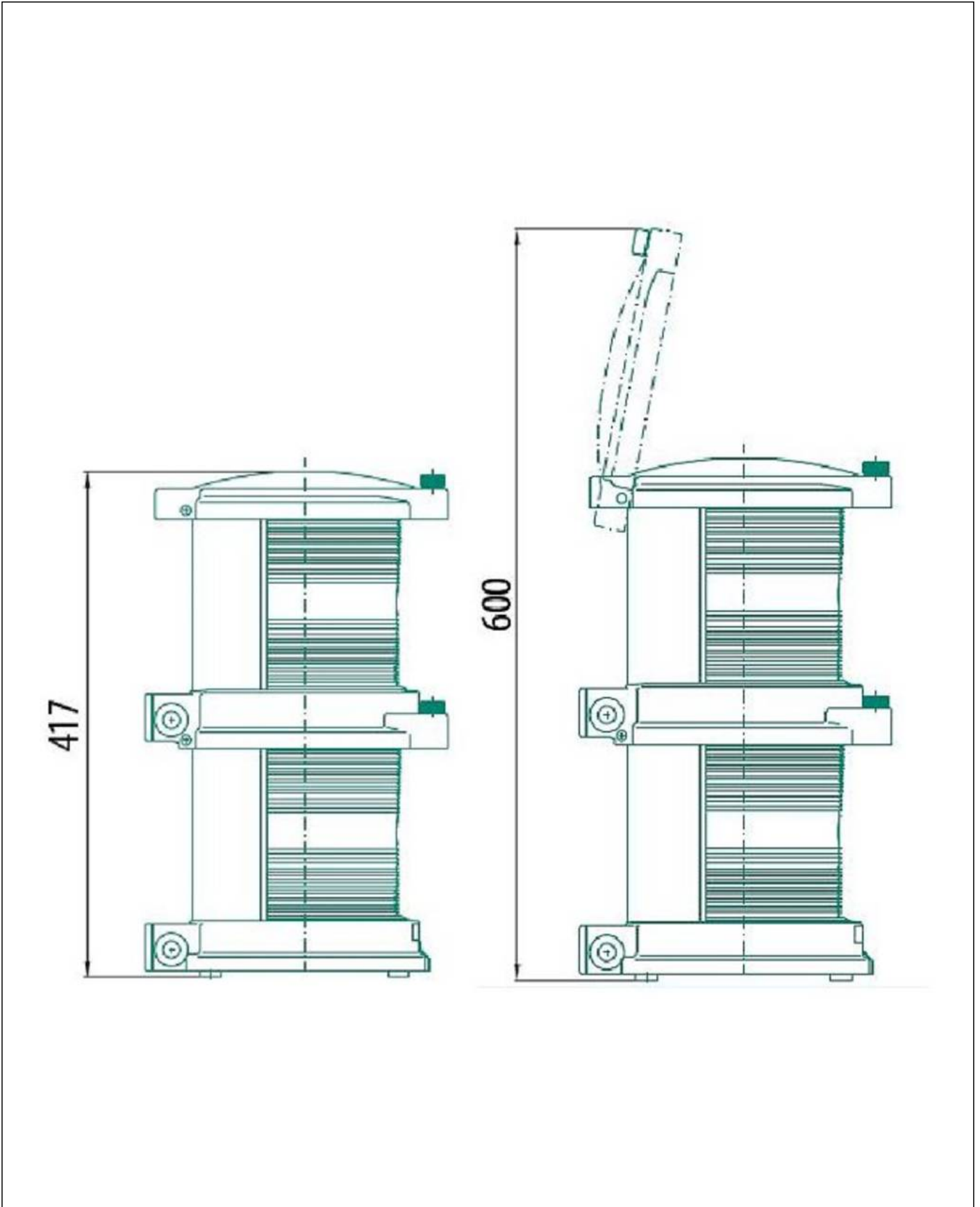
Your Contact:

**WISKA UK Ltd.**

Unit 7, Hurling Way · St. Columb Major Business Park · TR9 6SX, St. Columb Major, Cornwall · Great Britain

☎ +44-12-08816062 · 📠 +44-12-08816708

info@wiska.co.uk · www.wiska.co.uk



Your Contact:

**WISKA UK Ltd.**

Unit 7, Hurling Way · St. Columb Major Business Park · TR9 6SX, St. Columb Major, Cornwall · Great Britain

☎ +44-12-08816062 · 📠 +44-12-08816708

info@wiska.co.uk · www.wiska.co.uk