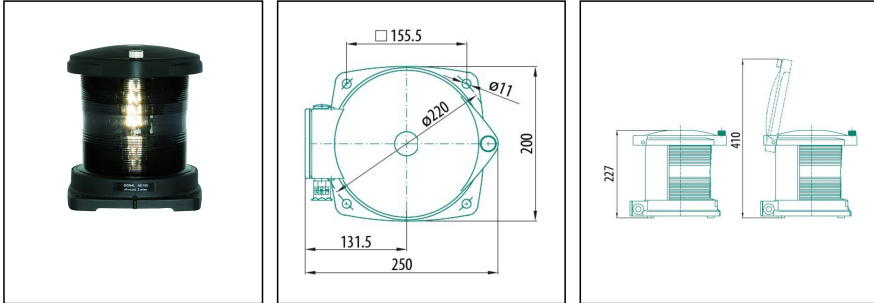


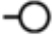
AS-760-WH-230-PB

Signal light



Products may differ in size, colour and appearance to those shown. If you require further information or customisation, please contact us directly.



WISKA-Order no.	50101033
Type	AS-760-WH-230-PB
Material	Polyamide, fibre reinforced
Material globe/diffuser	PMMA
Globe colour	white reduced
Power[^]	1 x 65 W
Voltage	230 V
Type of Voltage	AC
Frequence	50/60 Hz
Protection class	IP56
Operational areas	Outdoor
Temp. range min	-30 °C
Temp. range max	55 °C
Lampholder	P28s
Number of lampholder	1 items
Lightsource	Incandescent lamp
Lightsource incl.	Yes
Signal range	3nm
Model	Signal light
Sector	360°
Using for cable gland	
Material cable gland	Polyamide
Ø cable diameter min	6 mm
Ø cable diameter max	13 mm
Mounting	Upside

Your Contact:

WISKA UK Ltd.

Unit 7, Hurling Way · St. Columb Major Business Park · TR9 6SX, St. Columb Major, Cornwall · Great Britain

☎ +44-12-08816062 · 📠 +44-12-08816708

info@wiska.co.uk · www.wiska.co.uk

Colour	Black
External dimensions LxWxH	200x250x227mm
Weight	1,7 kg
Approval	DNV-GL, MED, UL, BSH
Tariff number	94054940

Remarks:

- Cable connection via cable connection box
- Equipped with 4 rubber pads

Recommended accessories

Vibration dampers -PB	50107255
------------------------------	----------

Spare parts

SP-Rubber pads navigation light (4 pcs)	22000909
Bulb 65W 230V P28s -PB	50100452
Lampholder P28s - PB	50101879
Connection cover for lantern 760/780 -PB	50106448
Terminal block for lantern 760/780 -PB	50106871

20.05.2024

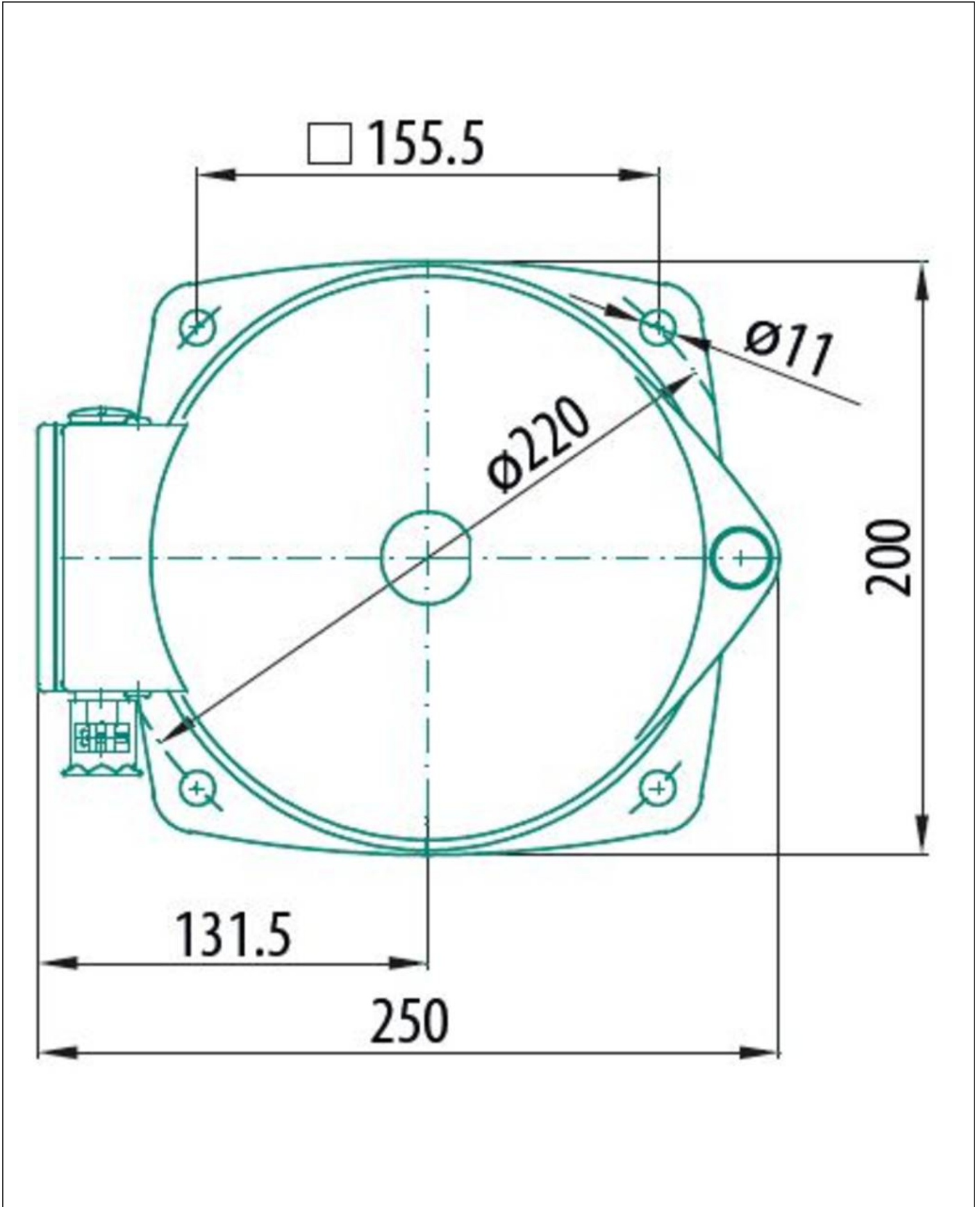
Your Contact:

WISKA UK Ltd.

Unit 7, Hurling Way · St. Columb Major Business Park · TR9 6SX, St. Columb Major, Cornwall · Great Britain

☎ +44-12-08816062 · 📠 +44-12-08816708

info@wiska.co.uk · www.wiska.co.uk



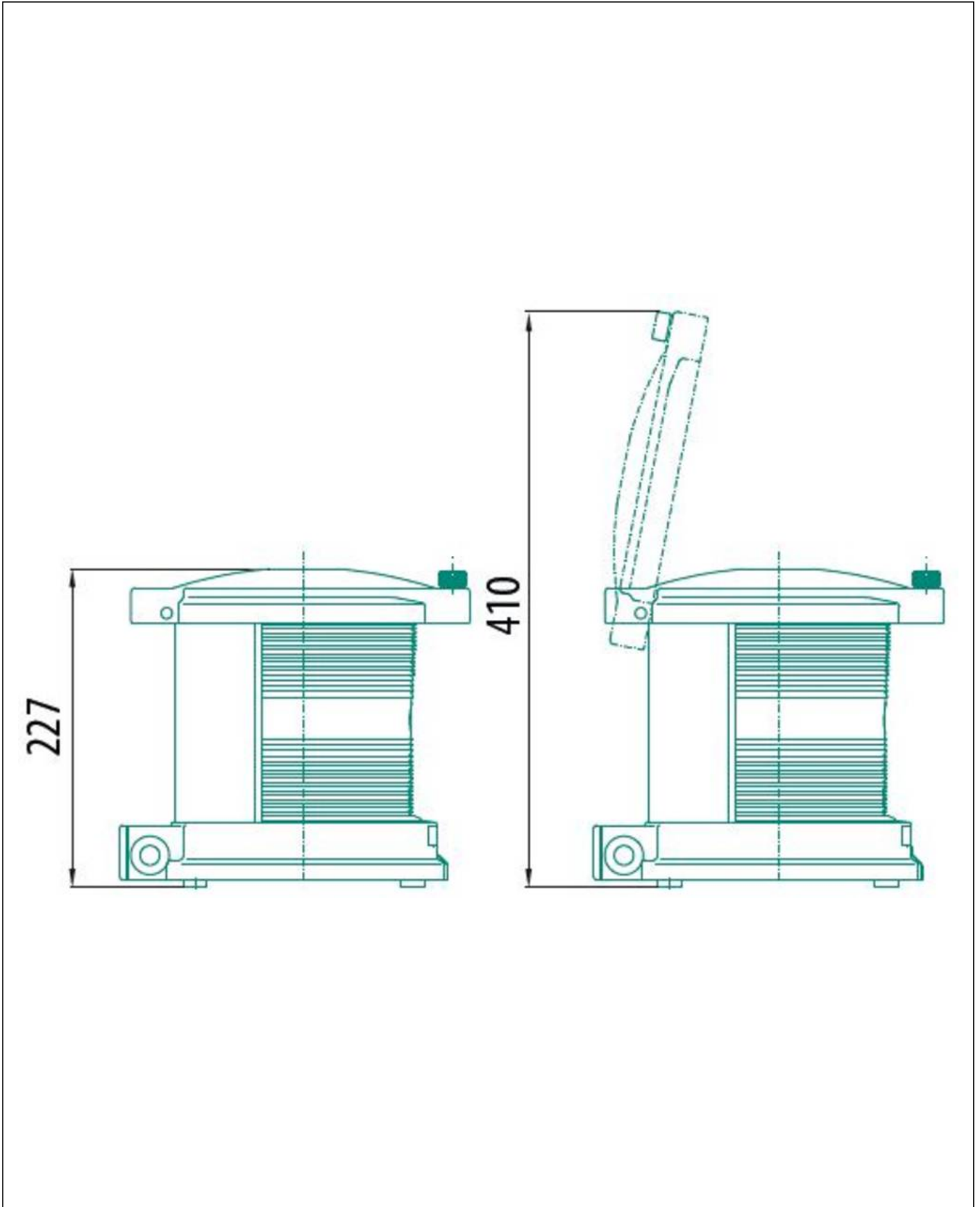
Your Contact:

WISKA UK Ltd.

Unit 7, Hurling Way · St. Columb Major Business Park · TR9 6SX, St. Columb Major, Cornwall · Great Britain

☎ +44-12-08816062 · 📠 +44-12-08816708

info@wiska.co.uk · www.wiska.co.uk



Your Contact:

WISKA UK Ltd.

Unit 7, Hurling Way · St. Columb Major Business Park · TR9 6SX, St. Columb Major, Cornwall · Great Britain

☎ +44-12-08816062 · 📠 +44-12-08816708

info@wiska.co.uk · www.wiska.co.uk