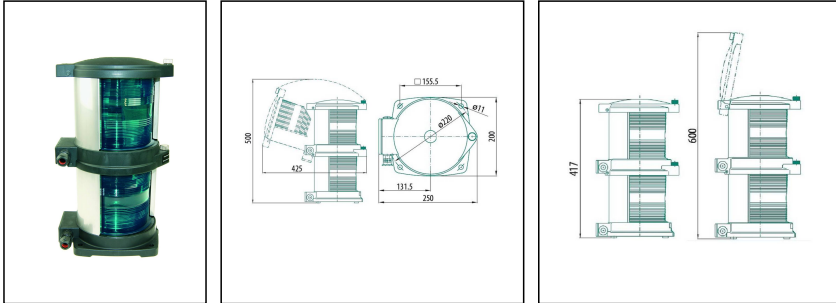


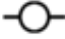
DSSb-760-GN-24/230-PB

Double side light starbord



Products may differ in size, colour and appearance to those shown. If you require further information or customisation, please contact us directly.



WISKA-Order no.	50101035
Type	DSSb-760-GN-24/230-PB
Material	Polyamide, fibre reinforced
Material globe/diffuser	PMMA
Globe colour	Green
Power[^]	1 x 40 W, 1 x 65 W
Voltage min. (V)	24 V
Voltage max. (V)	230 V
Type of Voltage	AC / DC
Protection class	IP56
Operational areas	Outdoor
Temp. range min	-30 °C
Temp. range max	55 °C
Lampholder	P28s
Number of lampholder	2 items
Lightsource	Incandescent lamp
Lightsource incl.	Yes
Signal range	3nm
Model	Double side light
Sector	112,5°
Using for cable gland	
Ø cable diameter min	6 mm
Ø cable diameter max	13 mm
Mounting	Upside
Colour	Black

Your Contact:

WISKA UK Ltd.

Unit 7, Hurling Way · St. Columb Major Business Park · TR9 6SX, St. Columb Major, Cornwall · Great Britain

☎ +44-12-08816062 · 📠 +44-12-08816708

info@wiska.co.uk · www.wiska.co.uk

External dimensions LxWxH	200x250x417mm
Weight	4,1 kg
Approval	MED, DNV-GL, BSH, UL

Remarks:

- Including one bulb 40W and one bulb 65W
- Voltage: 24V DC top light, 230V AC lower light
- Cable connection via cable connection box
- Equipped with 4 rubber pads

Recommended accessories

Vibration dampers -PB	50107255
------------------------------	----------

Spare parts

SP-Rubber pads navigation light (4 pcs)	22000909
Bulb 65W 230V P28s -PB	50100452
Lampholder P28s - PB	50101879
Bulb 40W 24V P28s -PB	50103153
Connection cover for lantern 760/780 -PB	50106448
Terminal block for lantern 760/780 -PB	50106871
Cover for lantern 760 cpl.	50107565

21.05.2024

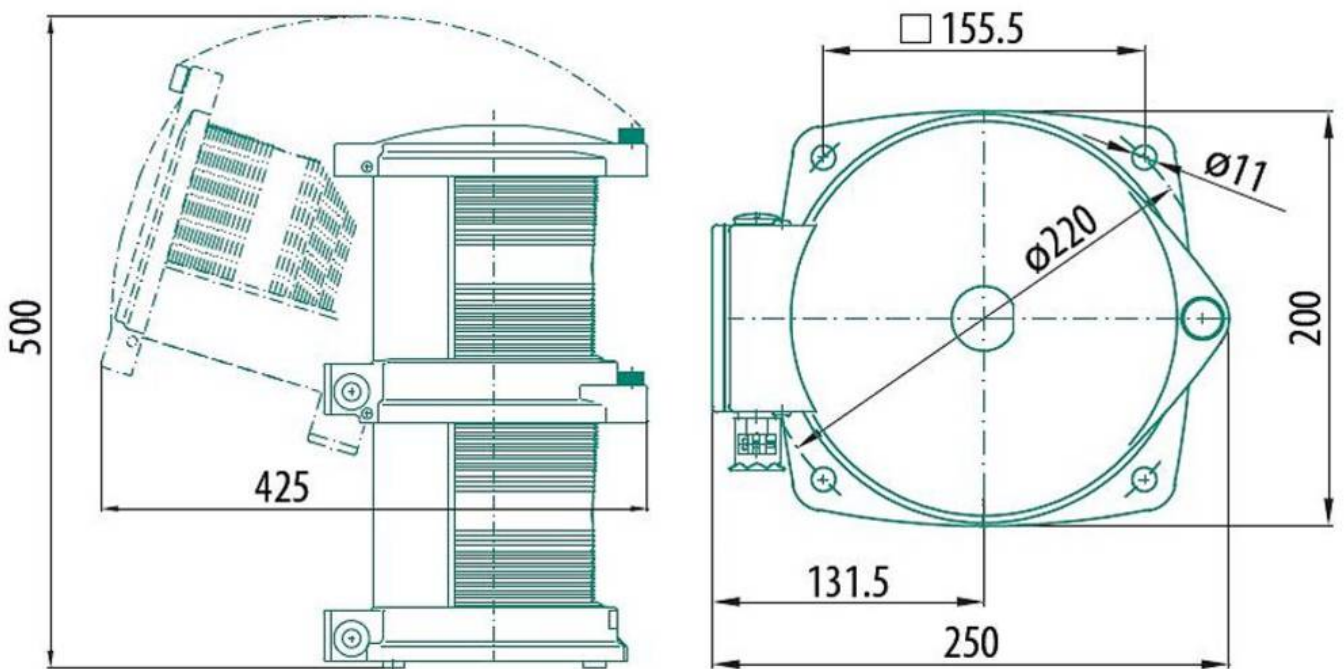
Your Contact:

WISKA UK Ltd.

Unit 7, Hurling Way · St. Columb Major Business Park · TR9 6SX, St. Columb Major, Cornwall · Great Britain

☎ +44-12-08816062 · 📠 +44-12-08816708

info@wiska.co.uk · www.wiska.co.uk



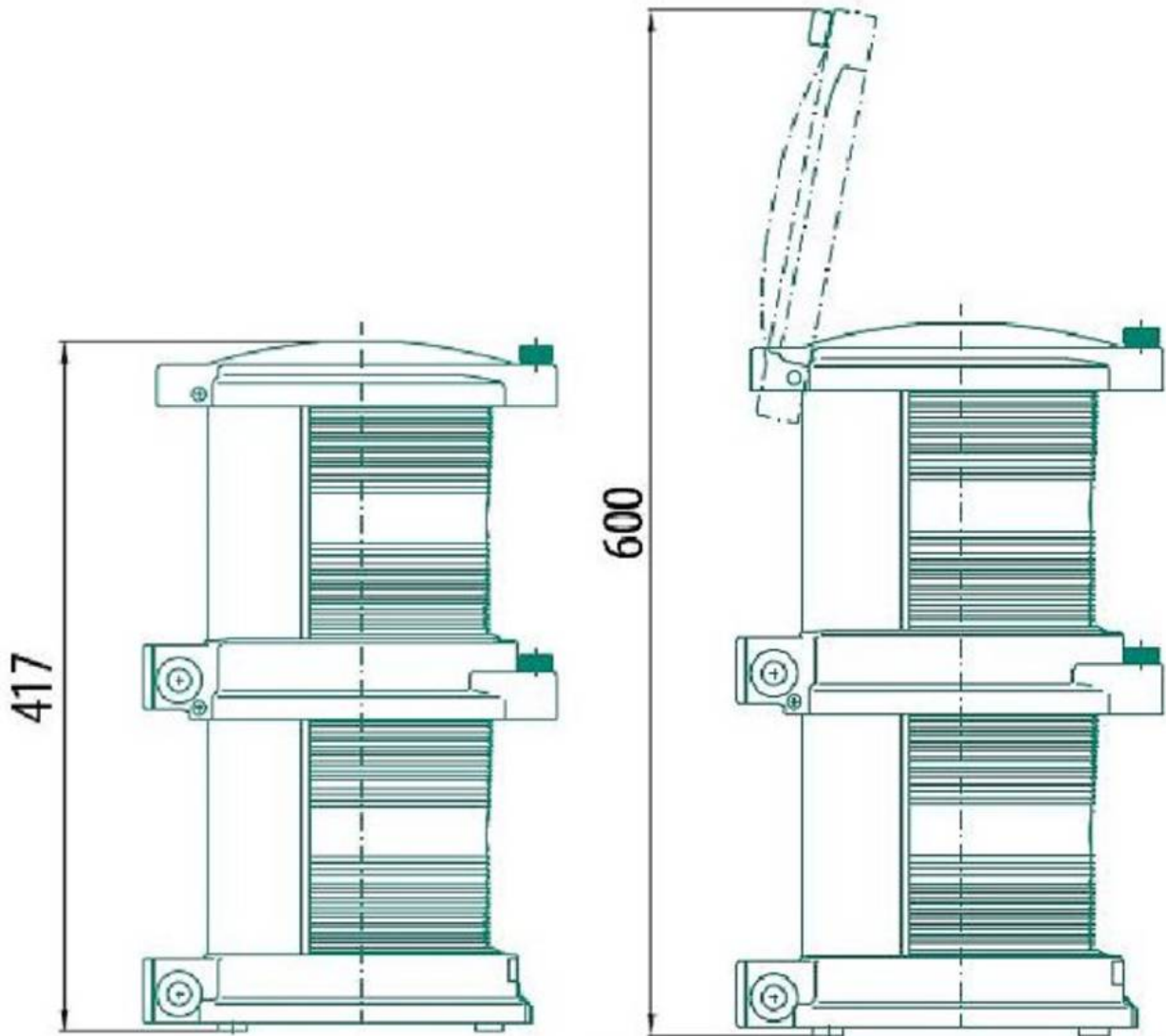
Your Contact:

WISKA UK Ltd.

Unit 7, Hurling Way · St. Columb Major Business Park · TR9 6SX, St. Columb Major, Cornwall · Great Britain

☎ +44-12-08816062 · 📠 +44-12-08816708

info@wiska.co.uk · www.wiska.co.uk



Your Contact:

WISKA UK Ltd.

Unit 7, Hurling Way · St. Columb Major Business Park · TR9 6SX, St. Columb Major, Cornwall · Great Britain

☎ +44-12-08816062 · 📠 +44-12-08816708

info@wiska.co.uk · www.wiska.co.uk