

## BW 40L

BW Pack, brass gland and locknut, shroud



Products may differ in size, colour and appearance to those shown. If you require further information or customisation, please contact us directly.

|                                 |          |
|---------------------------------|----------|
| <b>Material</b>                 | Brass    |
| <b>Material shrouds</b>         | PVC      |
| <b>Packing unit</b>             | 1        |
| <b>Temp. range min</b>          | -80 °C   |
| <b>Temp. range max</b>          | 300 °C   |
| <b>Protection class</b>         | IP20     |
| <b>Thread type</b>              | M        |
| <b>Ø Connection thread D</b>    | 40       |
| <b>Lead</b>                     | 1,5      |
| <b>Length screw-in thread L</b> | 15 mm    |
| <b>Ø cable diameter max</b>     | 38,5 mm  |
| <b>Key width SW</b>             | 46 mm    |
| <b>Collar diameter (E)</b>      | 52 mm    |
| <b>Total length TL</b>          | 43 mm    |
| <b>Type</b>                     | BW 40L   |
| <b>WISKA-Order no.</b>          | 50101697 |

### Recommended accessories

|                 |          |
|-----------------|----------|
| <b>ORD-N 40</b> | 50108504 |
|-----------------|----------|

11.05.2024

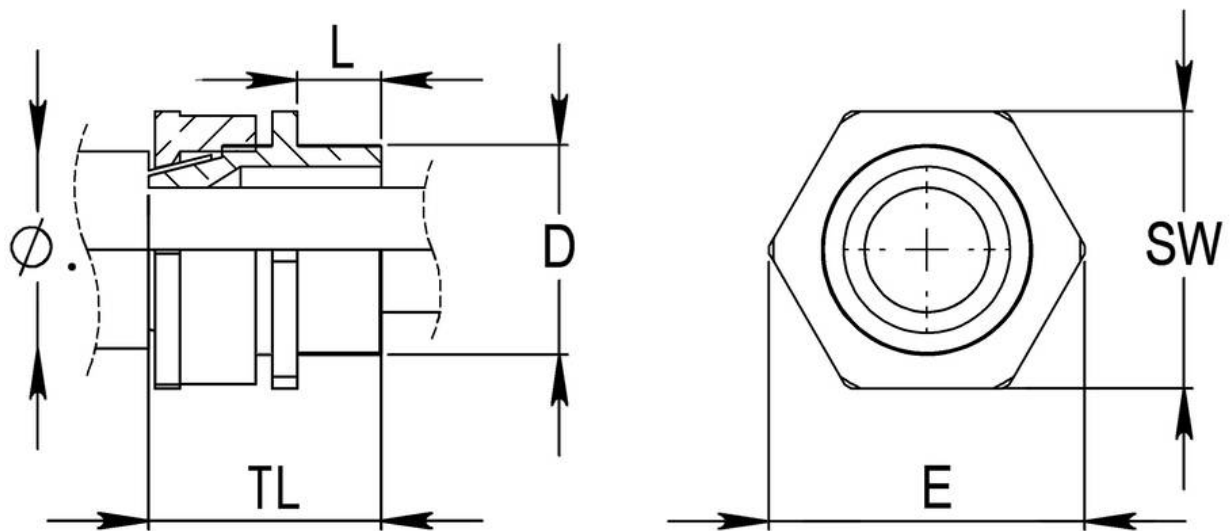
Your Contact:

**WISKA UK Ltd.**

Unit 7, Hurling Way · St. Columb Major Business Park · TR9 6SX, St. Columb Major, Cornwall · Great Britain

☎ +44-12-08816062 · 📠 +44-12-08816708

info@wiska.co.uk · www.wiska.co.uk



Your Contact:

**WISKA UK Ltd.**

Unit 7, Hurling Way · St. Columb Major Business Park · TR9 6SX, St. Columb Major, Cornwall · Great Britain

☎ +44-12-08816062 · 📠 +44-12-08816708

info@wiska.co.uk · www.wiska.co.uk