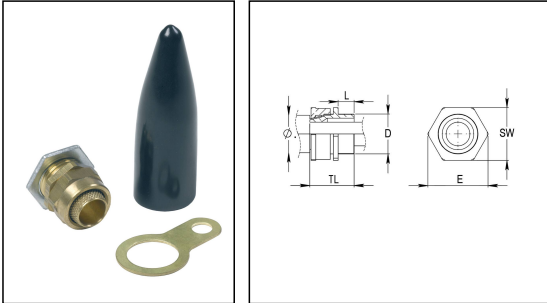


## BW 20L/LSF

BW LSF Pack, Low Smoke Fumes, brass gland and locknut, shroud LSF PVC



Products may differ in size, colour and appearance to those shown. If you require further information or customisation, please contact us directly.

<b>Material</b>	Brass
<b>Material shrouds</b>	PVC
<b>Packing unit</b>	2
<b>Temp. range min</b>	-80 °C
<b>Temp. range max</b>	300 °C
<b>Protection class</b>	IP20
<b>Thread type</b>	M
<b>Ø Connection thread D</b>	20
<b>Lead</b>	1,5
<b>Length screw-in thread L</b>	10 mm
<b>Ø cable diameter max</b>	18,3 mm
<b>Key width SW</b>	24 mm
<b>Collar diameter (E)</b>	26 mm
<b>Total length TL</b>	29 mm
<b>Type</b>	BW 20L/LSF
<b>WISKA-Order no.</b>	50108772

30.04.2024

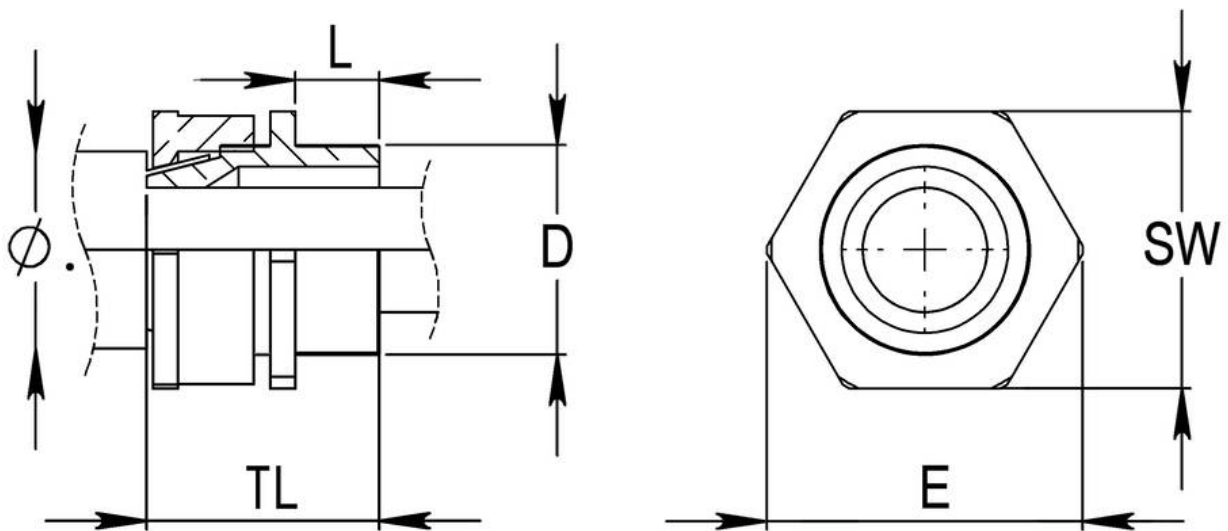
Your Contact:

**WISKA UK Ltd.**

Unit 7, Hurling Way · St. Columb Major Business Park · TR9 6SX, St. Columb Major, Cornwall · Great Britain

☎ +44-12-08816062 · 📠 +44-12-08816708

info@wiska.co.uk · www.wiska.co.uk



Your Contact:

**WISKA UK Ltd.**

Unit 7, Hurling Way · St. Columb Major Business Park · TR9 6SX, St. Columb Major, Cornwall · Great Britain

☎ +44-12-08816062 · 📠 +44-12-08816708

info@wiska.co.uk · www.wiska.co.uk