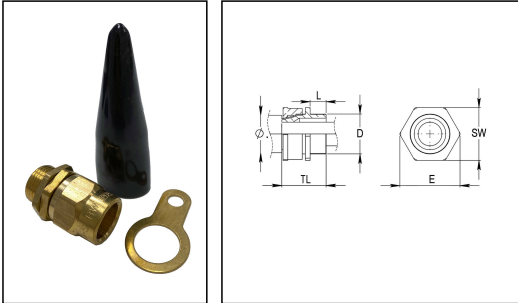


BWL 50S

BW L Pack, brass gland and locknut, long thread, shroud LSF PVC



Products may differ in size, colour and appearance to those shown. If you require further information or customisation, please contact us directly.

Material	Brass
Material shrouds	LSF PVC
Packing unit	1
Temp. range min	-80 °C
Temp. range max	300 °C
Protection class	IP20
Thread type	M
Ø Connection thread D	50
Lead	1,5
Length screw-in thread L	17 mm
Ø cable diameter max	46,3 mm
Ø cable below cable shield max	-38 mm
Key width SW	59 mm
Collar diameter (E)	66 mm
Total length TL	39,5 mm
Type	BWL 50S
WISKA-Order no.	50108791

13.12.2024

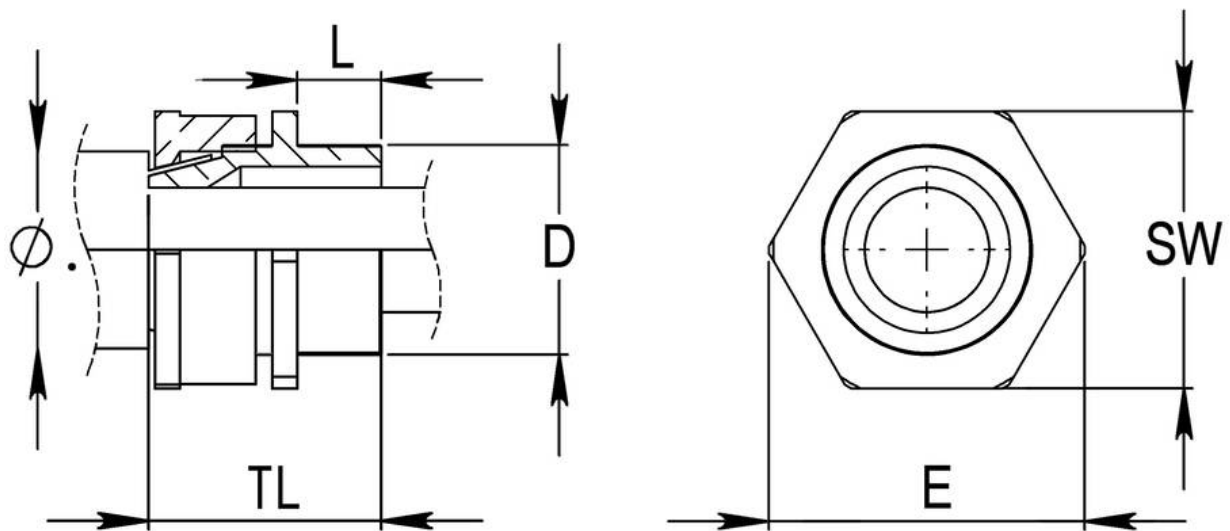
Your Contact:

WISKA UK Ltd.

Unit 7, Hurling Way · St. Columb Major Business Park · TR9 6SX, St. Columb Major, Cornwall · Great Britain

☎ +44-12-08816062 · 📠 +44-12-08816708

info@wiska.co.uk · www.wiska.co.uk



Your Contact:

WISKA UK Ltd.

Unit 7, Hurling Way · St. Columb Major Business Park · TR9 6SX, St. Columb Major, Cornwall · Great Britain

☎ +44-12-08816062 · 📠 +44-12-08816708

info@wiska.co.uk · www.wiska.co.uk